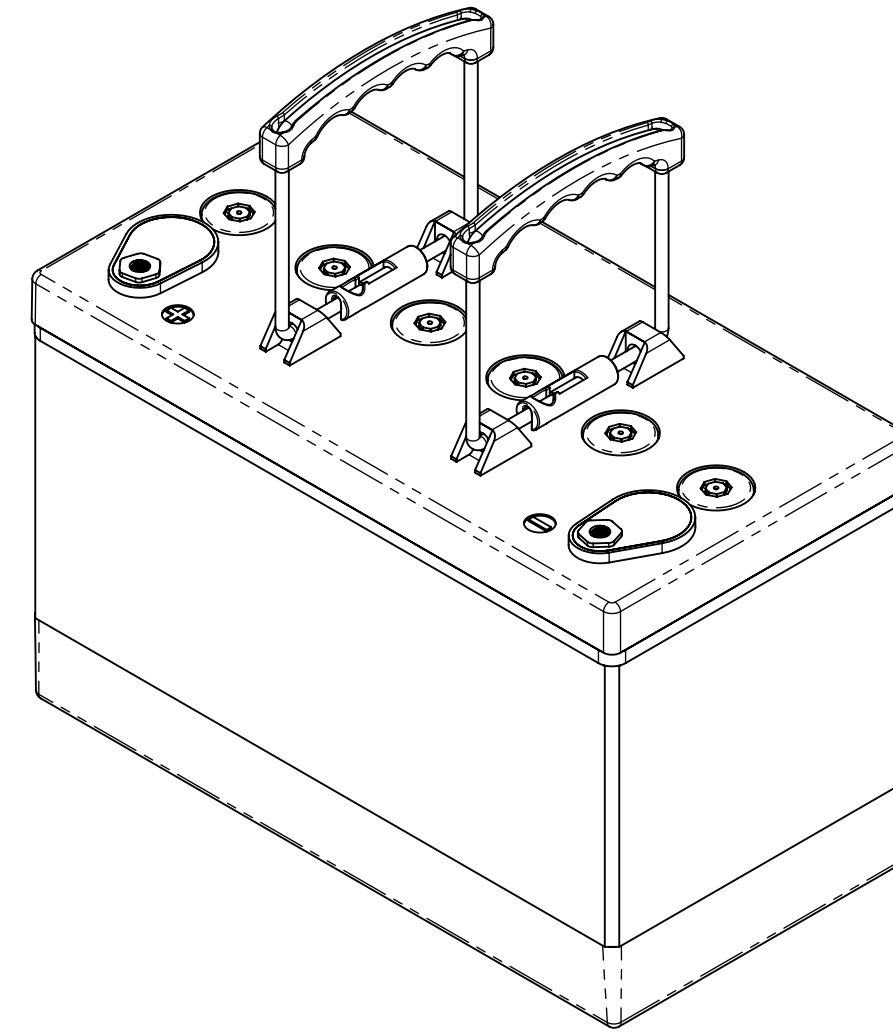


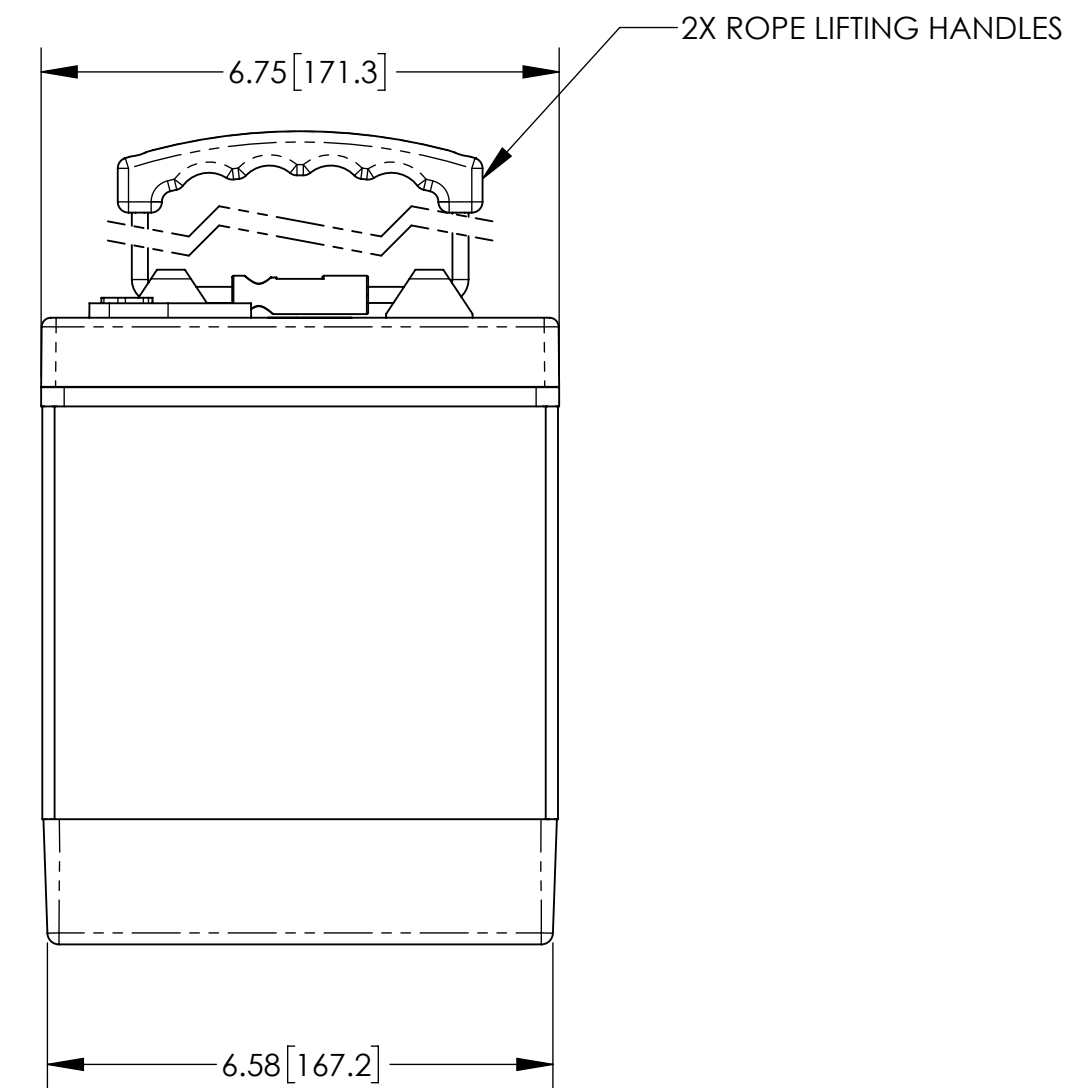
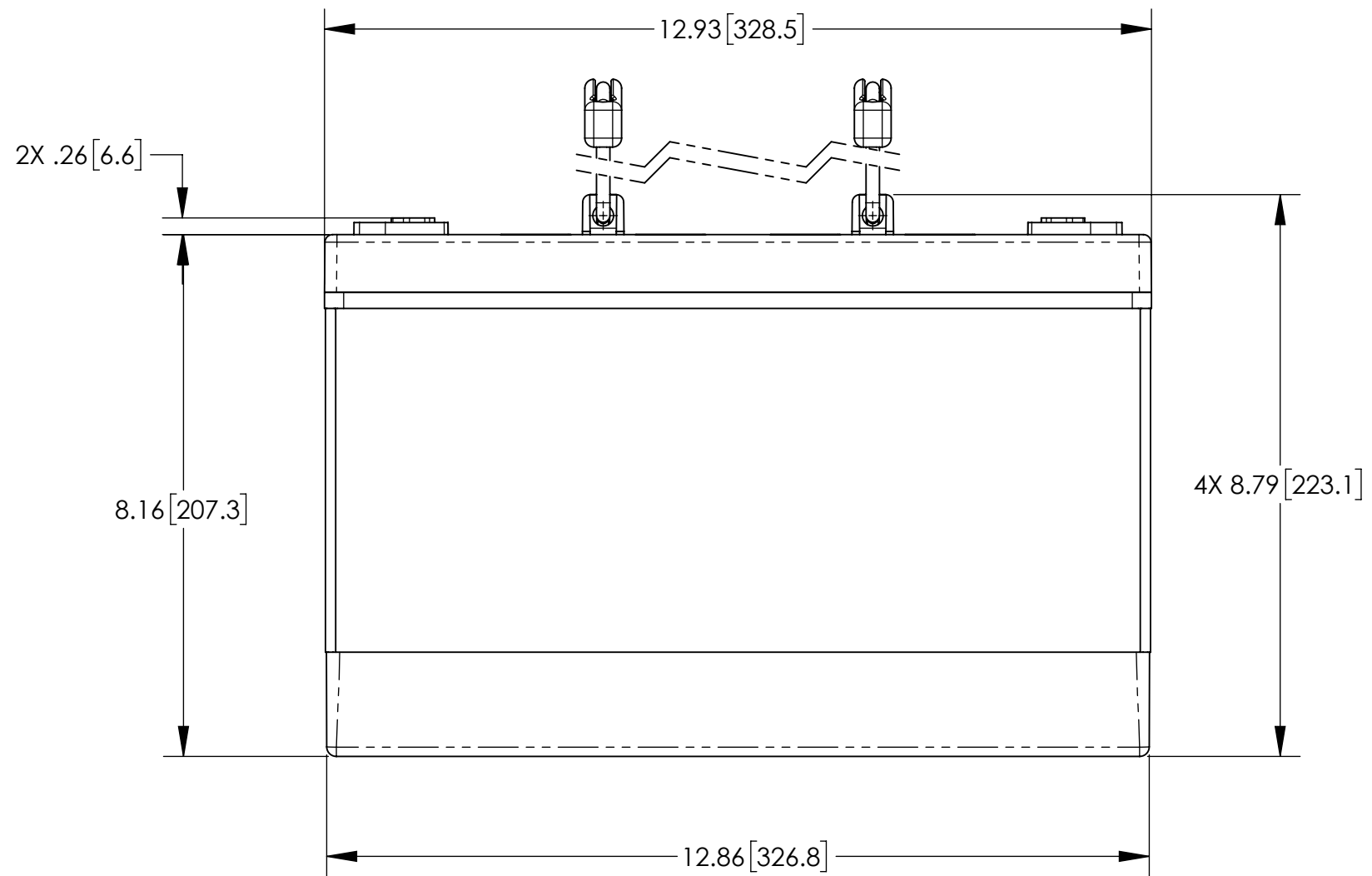
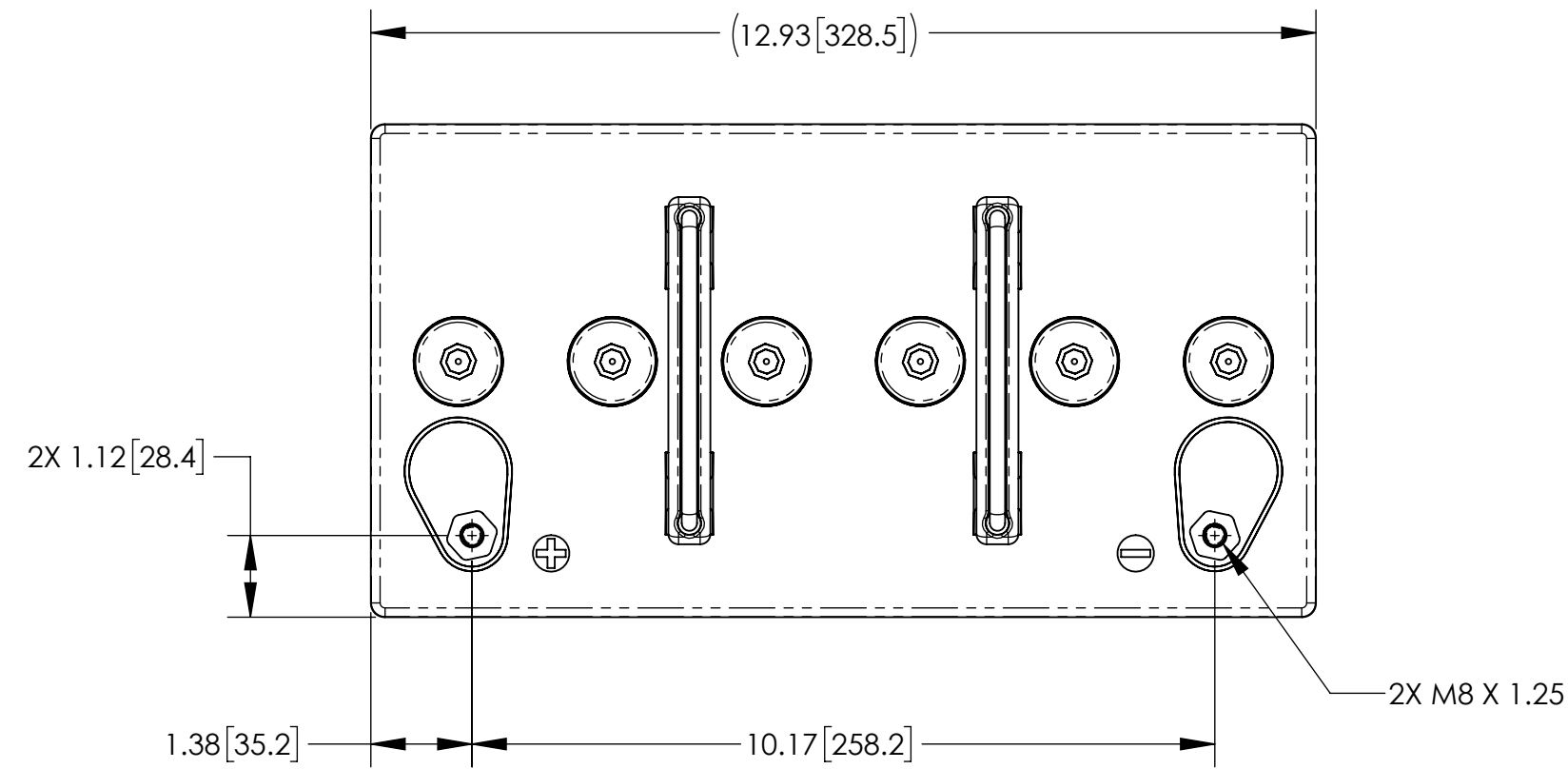
NOTES: UNLESS OTHERWISE SPECIFIED

1. SEE DRAWING NO. CB-00290 AND PROCEDURE P-1000 FOR ASSEMBLY AND TEST INSTRUCTION. PROCEDURES AND ASSEMBLY DRAWINGS ARE FOR INTERNAL USE ONLY.
2. ALL TESTING IS PERFORMED IAW BATTERY COUNCIL INTERNATIONAL STANDARDS.
3. ALL DIMENSIONS ARE INCH [MM]

REVISIONS			
REV	DESCRIPTION	DATE	APPROVED



ISOMETRIC VIEW



2X ROPE LIFTING HANDLES

CAPACITY RATINGS	
PART NUMBER	AGM-1285T
NOMINAL WEIGHT	62 LBS [28.2 KG]
AMPERE HOUR CAPACITY @ 20 HOUR 1.75 VOLTS/CELL @ 77°F (25°C)	85 AH
MINUTES OF DISCHARGE @ 25 AMPS 1.75 VOLTS/CELL @ 77°F (25°C)	158 MIN

ENVELOPE DRAWING

UNLESS OTHERWISE SPECIFIED DIMENSIONS ARE IN INCHES TOLERANCES ARE: FRACTIONS DECIMALS ANGLES ±1/32 .XX ±.06 ±1° .XXX ±.060	CONTRACT NO.		CONCORDE BATTERY CORPORATION 2009 SAN BERNARDINO RD, W. COVINA, CA 91790		
	APPROVALS		TITLE		
	DRAWN	J. DENDIU	DATE	3/25/19	
	CHECKED	NS	DATE	5/29/19	
TREATMENT	NONE	APPROVED	PH	5/29/19	
FINISH	NONE	ISSUED	JG	DATE	6/3/19
SIMILAR TO	CALC WT	SCALE	1:2.5	SHEET	1 OF 1
BATTERY, 12 VOLT, AGM-1285T			SIZE	CAGE CODE	DWG NO.
			C	63017	AGM-1285T