



**CONCORDE BATTERY CORPORATION**

2009 San Bernardino Road  
 West Covina, CA 91790  
 Phone: 626-813-1234  
[www.concordebattery.com](http://www.concordebattery.com)

TO: HOLDERS OF COMPONENT MAINTENANCE MANUAL  
 FOR RG® SERIES EMERGENCY AIRCRAFT BATTERY (CMM 24-30-67)

**DOCUMENT NO. 5-0167  
 REVISION E DATED JUL 21/2015**

**HIGHLIGHTS**

Changes from the previous revision are highlighted in the following table:

<b>Page(s)</b>	<b>Description of Change</b>	<b>Effectivity</b>
TP-1	Added TSO-C173A to Applicability section.	All Models
INTRO-1	Added VRSLA to Definitions in 3.B.	All Models
INTRO-2	Added to 4.A: "and never "jump start" an aircraft that has a "dead" or discharged battery."	All Models
INTRO-3	Added TSO-C173A to 5.A and 5.B. Revised 6.A, Deviations	All Models
101	Changed wording from "between 85% and 90%" to "90% or below and not less than 85%" in 1.A.3 and 1.B.3.	All Models
105	Revised 6.B to include OCV criteria: If the OCV is 20 volts or above, charge the battery at constant potential per Section 7. If the OCV is below 20 volts, perform the deep discharge recovery charge per Section 9. Revised 6.E to include recording discharge minutes and % capacity on Battery Maintenance Log. Reworded 6.G.	All Models
106	Revised Section 8, Conditioning Charge Procedure, to one method only (16 hour constant current at C/10 rate).	All Models
106	Added new Section 10, Deep Discharge Recovery Procedure.	All Models
107	Revised charge termination criteria in 8.C.	All Models
601	Revised 1.C from "The battery assembly should be replaced after 4 years of service life" to: "If the battery is not subjected to capacity testing in accordance with Section 1 under TESTING AND FAULT ISOLATION, it is recommended that the battery be replaced when it reaches 4 years of service life".	All Models
1501	Revised 1.B. from "To prolong shelf life..." to "To minimize self-discharge..." Added 1.F, Batteries in storage for longer than 24 months must be capacity tested per Section 7 before being placed in service."	All Models
1502	Added 5.F. Revised charge termination criteria in 6.C.	All Models

1502	Revised 7.B to include OCV criteria: If the OCV is 20 volts or above, charge the battery at constant potential per Section 8. If the OCV is below 20 volts, perform the deep discharge recovery charge per Section 9. Revised 7.E to include recording discharge minutes and % capacity on Battery Maintenance Log. Reworded 7.G.	All Models
1503	Revised Section 8, Conditioning Charge Procedure, to one method only (16 hour constant current at C/10 rate).	All Models
1504	Added new Section 9, Deep Discharge Recovery Procedure.	All Models
1505	Revised 10.C to include IMDG and DOT regulations.	All Models
LP-1	Added Appendix A, Battery Maintenance Log	All Models



**CONCORDE BATTERY  
CORPORATION**  
2009 San Bernardino Road  
West Covina, CA 91790  
Phone: 626-813-1234  
[www.concordebattery.com](http://www.concordebattery.com)

**RG® SERIES EMERGENCY AIRCRAFT BATTERY  
COMPONENT MAINTENANCE MANUAL**

<b>Document Number</b>	<b>5-0167</b>
<b>Initial Issue Date</b>	<b>Mar 22/2007</b>
<b>Current Revision Date</b>	<b>Jul 21/2015 (Rev. E)</b>

**APPLICABILITY**

This CMM is applicable to RG® Series Emergency Aircraft Batteries including batteries authorized under TSO-C173/C173A. Refer to Document No. 5-0404 for a list of TSO authorized batteries and to Document No. 5-0417 for a list of non-TSO authorized batteries. The latest revision of these documents is posted on our website. If internet access is not available, a printed copy will be furnished upon request.

**NOTES:**

- 1. THIS CMM SUPERSEDES DOCUMENT NO. 5-0143 (INSTRUCTIONS FOR CONTINUED AIRWORTHINESS, CONCORDE VALVE REGULATED LEAD-ACID EMERGENCY BATTERY).**
- 2. THIS CMM MAY ALSO BE USED FOR RG® SERIES MAIN BATTERIES THAT ARE DEPLOYED SOLELY AS AN EMERGENCY BATTERY.**

*The data/information contained herein has been reviewed and approved for general release on the basis that this document contains no export-controlled information.*

CONCORDE BATTERY CORPORATION  
COMPONENT MAINTENANCE MANUAL  
RG® SERIES EMERGENCY AIRCRAFT BATTERY

**RECORD OF REVISIONS**

Revision No.	Issue Date	Date Inserted	Inserted By
NC	Mar 22/2007		
A	Jun 07/2007		
B	Sep 10/2007		
C	Dec 07/2010		
D	Mar 15/2012		
E	Jul 21/2015		

**NOTES:**

**1. THE LATEST REVISION OF THIS CMM IS AVAILABLE FOR DOWNLOAD FROM CONCORDE'S WEBSITE IN PDF FORMAT. IF YOU ARE UNABLE TO ACCESS THE INTERNET, CONTACT CONCORDE AND A PRINTED COPY WILL BE SENT TO YOU (SEE FRONT PAGE OF THIS CMM FOR WEBSITE AND COMPANY CONTACT INFORMATION).**

**2. CHANGES FROM THE PREVIOUS REVISION ARE DENOTED BY A VERTICAL LINE IN THE LEFT MARGIN.**

CONCORDE BATTERY CORPORATION  
COMPONENT MAINTENANCE MANUAL  
RG® SERIES EMERGENCY AIRCRAFT BATTERY

**RECORD OF TEMPORARY REVISIONS**

Temporary Revision No.	Page Number	Issue Date	By	Date Removed	By

CONCORDE BATTERY CORPORATION  
COMPONENT MAINTENANCE MANUAL  
RG® SERIES EMERGENCY AIRCRAFT BATTERY

**SERVICE BULLETIN LIST**

SB NUMBER	DESCRIPTION	DATE ISSUED

CONCORDE BATTERY CORPORATION  
 COMPONENT MAINTENANCE MANUAL  
 RG® SERIES EMERGENCY AIRCRAFT BATTERY

**LIST OF EFFECTIVE PAGES**

SUBJECT	PAGE(S)	DATE OF LATEST REVISION
Title Page	TP-1	Jul 21/2015
Record of Revisions	ROR-1	Jul 21/2015
Record of Temporary Revisions	RTR-1	Jul 21/2015
Service Bulletin List	SBL-1	Jul 21/2015
List of Effective Pages	LOEP-1	Jul 21/2015
Table of Contents	TOC-1 and TOC-2	Jul 21/2015
Introduction	INTRO-1 thru INTRO-3	Jul 21/2015
Description and Operation	1 thru 3	Jul 21/2015
Testing and Fault Isolation	101 thru 108	Jul 21/2015
Schematic and Wiring Diagrams	201	Jul 21/2015
Disassembly	301	Jul 21/2015
Cleaning	401	Jul 21/2015
Check	501	Jul 21/2015
Repair and Disposal	601	Jul 21/2015
Assembly	701	Jul 21/2015
Fits and Clearances	801	Jul 21/2015
Special Tools and Equipment	901 thru 902	Jul 21/2015
Storage (Including Transportation)	1501 thru 1505	Jul 21/2015
Appendix A	LP-1	Jul 21/2015

CONCORDE BATTERY CORPORATION  
 COMPONENT MAINTENANCE MANUAL  
 RG® SERIES EMERGENCY AIRCRAFT BATTERY

**TABLE OF CONTENTS**

SECTION	PAGE
INTRODUCTION	INTRO-1
1. Scope and Purpose	INTRO-1
2. Application	INTRO-1
3. Definitions	INTRO-1
4. Safety Precautions	INTRO-2
5. Airworthiness Limitations	INTRO-3
6. Deviations	INTRO-3
7. Personnel	INTRO-3
8. Shop Verification	INTRO-3
DESCRIPTION AND OPERATION	1
1. General	1
2. Characteristics of RG Series Emergency Aircraft Batteries	3
TEST AND FAULT ISOLATION	101
1. Capacity Testing to Verify Continued Airworthiness	101
2. Testing Discharged Batteries	101
3. Test Facilities	102
4. Tools, Fixtures, Equipment and Consumables	102
5. Test Set Up	102
6. Capacity Test Procedure	105
7. Constant Potential Charge Procedure	105
8. Conditioning Charge Procedure	106
9. Deep Discharge Recovery Procedure	107
10. Fault Isolation Summary	108
SCHEMATIC AND WIRING DIAGRAMS	201
DISASSEMBLY	301
CLEANING	401
1. General	401
2. Tools, Fixtures, Equipment and Consumables	401
3. External Cleaning	401
4. Internal Cleaning	401
CHECK	501
1. General	501
2. Tools, Fixtures, Equipment and Consumables	501
3. External Checking	501
4. Internal Checking	501
REPAIR AND DISPOSAL	601
ASSEMBLY	701
FITS AND CLEARANCES	801



CONCORDE BATTERY CORPORATION  
 COMPONENT MAINTENANCE MANUAL  
 RG® SERIES EMERGENCY AIRCRAFT BATTERY

SPECIAL TOOLS, FIXTURES, EQUIPMENT AND CONSUMABLES	901
1. Tools	901
2. Fixtures	901
3. Equipment	901
4. Consumables	901
ILLUSTRATED PARTS LIST	NOT APPLICABLE
SPECIAL PROCEDURES	NOT APPLICABLE
REMOVAL	NOT APPLICABLE
INSTALLATION	NOT APPLICABLE
SERVICING	NOT APPLICABLE
STORAGE (INCLUDING TRANSPORTATION)	1501
1. Storage Conditions	1501
2. Storage Facilities	1501
3. Tools, Fixtures, Equipment and Consumables	1501
4. Test Set Up	1501
5. Preparation for Installation	1501
6. Constant Potential Charge Procedure	1502
7. Capacity Test Procedure	1502
8. Conditioning Charge Procedure	1503
9. Deep Discharge Recovery Procedure	1504
10. Transportation	1505
APPENDIX A – BATTERY MAINTENANCE LOG	LP-1

**LIST OF FIGURES**

FIGURE	Page
Figure 101. Test Set Up for RG® Series Emergency Batteries with Receptacles	104
Figure 102. Test Set Up for RG® Series Emergency Batteries with Threaded Terminals	104

**LIST OF TABLES**

TABLE	Page
Table 101. List of Test Equipment	102
Table 102. List of Mating Connectors	103
Table 901. List of Test Equipment	902
Table 902. List of Mating Connectors	902

CONCORDE BATTERY CORPORATION  
COMPONENT MAINTENANCE MANUAL  
RG<sup>®</sup> SERIES EMERGENCY AIRCRAFT BATTERY

**INTRODUCTION**

1. Scope and Purpose

A. This Component Maintenance Manual (CMM) has been prepared in accordance with Air Transportation of America (ATA) Specification 100. It provides instructions for proper storage, servicing, replacement, repair, and disposal of the RG<sup>®</sup> Series valve regulated lead-acid emergency aircraft batteries manufactured by Concorde Battery Corporation.

2. Application

- A. Batteries covered by this CMM are designed for non-engine starting applications.
- B. Batteries covered by this CMM have no field-replaceable components. Batteries with field-replaceable components will have a dedicated CMM with an illustrated parts list.

3. Definitions

- A. Valve regulated lead-acid (VRLA) battery - A lead-acid battery in which there is no free electrolyte and the internal pressure is regulated by a pressure relief valve. This battery requires no maintenance of the liquid level and recombines the gases formed on charge within the battery to reform water. The battery may be used in any attitude without danger of leakage or spilling of electrolyte.
- B. Valve regulated sealed lead-acid (VRSLA) battery - An alternate terminology for a VRLA battery (see definition above).
- C. Rated C1 capacity - The nominal capacity, expressed in Ampere-hours (Ah), obtained from a fully charged battery when discharged at the one hour rate to the specified end point voltage at a temperature of 21 - 25°C (70 - 77°F).
- D. C1 rate - The rate, in amperes, equal to the battery's rated C1 capacity. For example, the C1 rate of a battery rated at 3.5Ah is 3.5 amperes.
- E. End Point Voltage (EPV) - The voltage at which the discharge current is terminated when measuring battery capacity. Unless otherwise stated, the EPV is equal to 20.0 volts.
- F. Open Circuit Voltage (OCV) - The voltage of the battery at rest (no charging or discharging current present). A stable OCV requires a rest of at least four hours.

CONCORDE BATTERY CORPORATION  
COMPONENT MAINTENANCE MANUAL  
RG® SERIES EMERGENCY AIRCRAFT BATTERY

4. Safety Precautions

- A. **WARNING: LOW CAPACITY HAZARD.** Aircraft batteries are certified to have a certain minimum capacity for emergency operations in the event of an electrical generator system failure. Never use a battery that has less than 80% of rated capacity and never “jump start” an aircraft that has a “dead” or discharged battery.
- B. **WARNING: ELECTRIC BURN HAZARD.** Lead-acid batteries are capable of delivering high currents if the terminals are shorted. The resulting heat can cause severe burns and is a potential fire hazard. Take the following precautions:
- Do not place tools or metal objects across battery terminals.
  - Do not wear conductive rings, belt buckles, watches or other jewelry when servicing batteries.
  - Wear insulated gloves and use insulated tools when servicing batteries.
  - Install battery terminal protectors whenever the battery is not connected in the aircraft or to the test equipment.
- C. **WARNING: DANGER OF EXPLODING BATTERIES.** Lead-acid batteries can produce explosive mixtures of hydrogen and oxygen while on charge or discharge, which can explode if ignited. Take the following precautions:
- Do not smoke, use an open flame, or cause sparking near a battery.
  - Wear proper eye and face protection when servicing batteries.
  - Make sure work area is well ventilated.
  - Do not constant current charge a battery when installed in an aircraft.
  - Connect cables securely to the battery terminals to avoid arcing.
- D. **WARNING: DANGER OF CHEMICAL BURNS.** Lead-acid batteries contain sulfuric acid which can cause severe burns to body tissue. Take the following precautions:
- Never remove or damage vent valves.
  - Avoid contact of the electrolyte with skin, eyes or clothing.
  - Do not touch eyes after touching battery.
  - In the event of acid in the eyes, flush thoroughly with clean cool water for several minutes and get professional medical attention immediately.
  - Refer to battery MSDS for additional information.
- E. **CAUTION: DANGER OF EQUIPMENT DAMAGE.** To prevent damage to the connector, arc burns, or explosion, batteries should never be connected or disconnected while being charged or discharged. Batteries must be connected or disconnected only when the circuit is open. Ensure the aircraft battery switch, external power source, or the charger/analyzer is in the “OFF” position before connecting or disconnecting the battery. Battery terminal protectors should be installed whenever the battery is not connected in the aircraft or to the test equipment.

CONCORDE BATTERY CORPORATION  
COMPONENT MAINTENANCE MANUAL  
RG® SERIES EMERGENCY AIRCRAFT BATTERY

5. Airworthiness Limitations

- A. For batteries covered by TSO-C173/C173A the following limitation applies:  
The conditions and tests for TSO approval of this battery are minimum performance standards. Those installing this battery, on or in a specific type or class of aircraft, must determine that the aircraft installation conditions are within the TSO standards. TSO articles must have separate approval for installation in an aircraft. The article may be installed only according to 14CFR part 43 or the applicable airworthiness requirements. Nickel-cadmium and lead-acid battery safety concerns include the possibility of fire and venting violently.
- B. For batteries not covered by TSO-C173/C173A, there are no airworthiness limitations associated with the installation of a Concorde valve-regulated lead-acid battery in an aircraft.

**NOTE: THE AIRWORTHINESS LIMITATIONS SECTION IS FAA APPROVED AND SPECIFIES MAINTENANCE REQUIRED UNDER 14 CFR §§ 43.16 AND 91.403, UNLESS AN ALTERNATIVE PROGRAM HAS BEEN FAA APPROVED.**

6. Deviations

- A. TSO-C173 dated May 2/2005 references RTCA/DO-293 dated Jul 29/2004. Batteries approved under the authority of TSO-C173 are based on Change 1 to RTCA/DO-293 dated Dec 13/2006 or RTCA/DO-293A dated Dec 02/2009.
- B. Batteries that contain heater blankets are TSO-C173 approved with a deviation regarding the insulation material on the heater blankets. This insulation material is approved under an equivalent level of safety determination.

7. Personnel

- A. Only personnel authorized by the cognizant aviation authority are permitted to service Concorde aircraft batteries. For aircraft registered in the USA, 14CFR Part 43.3 applies.

8. Shop Verification

- A. The following sections of this CMM were verified by actual performance:
- Testing and Fault Isolation – verified 5/14/10
  - Disassembly – not applicable
  - Assembly – not applicable.

CONCORDE BATTERY CORPORATION  
COMPONENT MAINTENANCE MANUAL  
RG® SERIES EMERGENCY AIRCRAFT BATTERY

**DESCRIPTION AND OPERATION**

1. General

A. Cell Construction:

Concorde aircraft batteries are valve-regulated, recombinant gas, absorbed electrolyte, lead acid batteries. The cells are sealed with a pressure relief valve that prevents gases within the battery from escaping. The positive and negative plates are sandwiched between layers of glass mat consisting of glass micro fibers of varying length and diameter. This blend features superior wicking characteristics and promotes maximum retention of the electrolyte. Electrolyte is absorbed and held in place by the capillary action between the fluid and the absorptive glass mat (AGM) fibers. By design, the AGM separator is only about 90-95% saturated with electrolyte. The void space provides the channels by which oxygen travels from the positive to the negative plates during charging. When the oxygen gas reaches the negative plate, it reacts with lead to form lead oxide and water. This reaction at the negative plate suppresses the generation of hydrogen that otherwise would come off the negative plate. In this manner, virtually all of the gas is recombined inside the cell, eliminating the need to add water, resulting in "maintenance free" operation.

B. Grids and Plates:

Each cell of a storage battery has positive and negative plates arranged alternately, insulated from each other by separators. Each plate consists of a framework, called the grid, and a lead paste compound called active material. The grid is cast from a lead alloy. A heavy outside frame adds strength to the plate for good vibration and shock durability. The small horizontal and vertical wires support the active material. These wires also act as conductors for the current. The lead paste compound (active material) is applied to the grid in much the same manner as plaster is applied to a lath wall. A different paste formula is used for the positive and negative plates.

C. Plate Groups:

Plate groups are made by joining a number of similar plates to a common terminal post by means of a plate strap. The capacity of a battery is determined by the number and size of plates in a group. Each plate is made with a lug at the top which is fused to the strap. A positive group consists of a number of positive plates connected to a plate strap and a negative group consists of a number of negative plates connected in the same manner. The two groups meshed together with separators between the positive and negative plates constitute a cell element.



CONCORDE BATTERY CORPORATION  
COMPONENT MAINTENANCE MANUAL  
RG® SERIES EMERGENCY AIRCRAFT BATTERY

On discharge, lead dioxide ( $\text{PbO}_2$ ) of the positive electrode and sponge lead (Pb) of the negative electrode are both converted to lead sulfate ( $\text{PbSO}_4$ ) freeing two electrons. On charge, the lead sulfate in the positive electrode is converted to lead dioxide ( $\text{PbO}_2$ ) and the lead sulfate in the negative electrode is converted to sponge lead. The charge process also produces some oxygen at the positive electrode and some hydrogen at the negative electrode. The electrolyte, sulfuric acid ( $\text{H}_2\text{SO}_4$ ), is an active component in the reaction at both electrodes.

When flooded (vented) batteries are on charge, the oxygen generated at the positive plates escapes from the cell. Concurrently, at the negative plates, hydrogen is generated from water and escapes from the cell. The overall result is the gassing of the cells and water loss. Therefore, flooded cells require periodic water replenishment.

**CAUTION: DO NOT REMOVE THE PRESSURE RELIEF VALVES ON AN RG® BATTERY AND DO NOT ADD WATER OR ELECTROLYTE. THE RECOMBINANT GAS DESIGN ELIMINATES THE NEED TO REPLENISH WATER AND ELECTROLYTE. REMOVING THE PRESSURE RELIEF VALVE VOIDS THE WARRANTY.**

When valve regulated batteries are on charge, oxygen combines chemically with the lead at the negative plates in the presence of sulfuric acid to form lead sulfate and water. This oxygen recombination suppresses the generation of hydrogen at the negative plates. Overall, there is minimal water loss during charging. A very small quantity of water may be lost as a result of self-discharge reactions. However, such loss is so small that no provision need be made for water replenishment. The battery cells have a pressure relief safety valve that may vent if the battery is overcharged.

## 2. Characteristics of RG Series Emergency Aircraft Batteries

- A. The RG® Series of emergency aircraft batteries consist of 12 cells connected in series to make a nominal 24VDC battery. The cells are contained in an aluminum container equipped with an electrical receptacle for mating to the aircraft. In some models, heaters are present to warm the batteries for operation in extreme cold temperature environments.
- B. Technical characteristics of the various models are detailed on Concorde's website (see front page of this CMM).
- C. If internet access is not available, contact Concorde for assistance (see front page of this CMM).

CONCORDE BATTERY CORPORATION  
COMPONENT MAINTENANCE MANUAL  
RG® SERIES EMERGENCY AIRCRAFT BATTERY

**TESTING AND FAULT ISOLATION**

1. Capacity Testing to Verify Continued Airworthiness

A. Operating less than 1000 hours per year:

1. Initial check at 12 months after initial installation ( $\pm 1$  month).
2. As long as the capacity is above 90%, subsequent capacity checks every 12 months in service ( $\pm 1$  month).
3. If the capacity is 90% or below and not less than 85%, subsequent checks every 6 months in service ( $\pm 1$  month).
4. If the capacity is less than 85%, remove battery from service.

B. Operating 1000 hours per year or more:

1. Initial check at 1000 hours after initial installation ( $\pm 100$  hours).
2. As long as the capacity is above 90%, subsequent capacity checks every 1000 hours in service ( $\pm 100$  hours).
3. If the capacity is 90% or below and not less than 85%, subsequent checks every 500 hours in service ( $\pm 100$  hours).
4. If the capacity is less than 85%, remove battery from service.

**WARNING: CAPACITY CHECKS PROVIDE ASSURANCE OF CONTINUED AIRWORTHINESS OF THE BATTERY. ADJUSTMENTS TO THE FREQUENCY OF CAPACITY CHECKS SHOULD BE BASED ON CAREFUL CONSIDERATION OF FACTORS THAT AFFECT BATTERY LIFE. THESE FACTORS INCLUDE OPERATING PATTERNS, ENVIRONMENTAL CONDITIONS, AND CONFIGURATION OF THE AIRCRAFT ELECTRICAL SYSTEM. IF ANY OF THESE FACTORS CHANGE, THE BATTERY LIFE SHOULD BE RE-ESTABLISHED USING THE ORIGINAL CAPACITY CHECK SCHEDULE.**

**NOTE (1): THE CAPACITY CHECK INTERVALS SPECIFIED ABOVE ARE GENERAL RECOMMENDATIONS SUITABLE FOR MOST APPLICATIONS. THE INTERVALS MAY BE ADJUSTED FOR A SPECIFIC AIRCRAFT OR FLEET ONCE THE AVERAGE BATTERY LIFE IS ESTABLISHED.**

**NOTE (2): CAPACITY CHECKS ARE OPTIONAL IF THE BATTERY'S FUNCTIONALITY DOES NOT AFFECT AIRWORTHINESS OF THE AIRCRAFT.**

2. Testing Discharged Batteries

- A. If a battery is discharged below the recommended end point voltage of 20 volts and is not recharged within 24 hours, it should be subjected to a capacity test to assure airworthiness (see Section 6).
- B. After airworthiness is verified, the capacity test schedule may be adjusted using this new date and equipment flight hours as the starting point for the next capacity check interval.



CONCORDE BATTERY CORPORATION  
 COMPONENT MAINTENANCE MANUAL  
 RG® SERIES EMERGENCY AIRCRAFT BATTERY

3. Test Facilities

- A. Concorde valve regulated lead-acid (VRLA) batteries may be serviced in any battery facility, including nickel-cadmium service facilities. VRLA batteries are sealed to prevent cross contamination of the electrolyte.

**WARNING: LEAD-ACID BATTERIES CAN PRODUCE EXPLOSIVE MIXTURES OF HYDROGEN AND OXYGEN WHILE BEING CHARGED OR DISCHARGED. NEVER SERVICE BATTERIES IN AN AIRTIGHT OR SEALED ENCLOSURE AND MAKE SURE WORK AREA IS WELL VENTILATED.**

4. Tools, Fixtures, Equipment and Consumables

- A. Refer to Table 101 for required test equipment.  
 B. Refer to Table 102 for mating connectors.

**NOTE: EQUIVALENT SUBSTITUTES MAY BE USED FOR THESE ITEMS.**

**CAUTION: CONTACT CONCORDE FOR ASSISTANCE WITH SELECTION OF BATTERY CHARGING EQUIPMENT. SOME BRANDS OF BATTERY CHARGERS WILL DESTROY THE BATTERY.**

5. Test Set Up

- A. Refer to Figure 101 or 102 for a schematic of the test set up.  
 B. Make the interconnect cabling locally using mating connectors shown in Table 102.

Table 101. List of Test Equipment

Description	Source	Part No.	Purpose
Electronic Load, capable of constant current at C1 ADC and 20-28 VDC with EPV termination at 20 VDC.	Commercially Available	N/A	Capacity Testing
Constant Voltage Power Supply, capable of 28.0 – 28.5 VDC and at least C1 ADC output.	Commercially Available	N/A	Constant Potential Charging
Constant Current Power Supply, capable of C1/10 ADC and at least 34 VDC output.	Commercially Available	N/A	Constant Current Charging
Digital Multimeter (DMM), capable 18-34 VDC with accuracy of 1% or better.	Commercially Available	N/A	Measuring OCV
Mating Connector	Various	See Table 102	Connect Battery to Test Equipment

CONCORDE BATTERY CORPORATION  
 COMPONENT MAINTENANCE MANUAL  
 RG® SERIES EMERGENCY AIRCRAFT BATTERY

Table 102. List of Mating Connectors

Battery Receptacle (Shown on envelope drawing)	Mating Connector (Obtain locally)
MS27466T15B5S	MS27467T15B5P
MS27466T17B6S	MS27467T17B6P
MS3102A 16-10P	MS3106A16-10S
MS3102A 20-24S	MS3106A20-24P
MS3102R-14S-7S	MS3106R14S-7P
MS3120E14-5S	MS3126E14-5P
MS3120E14-5SW	MS3126E14-5PW
MS3120E14-5SX	MS3126E14-5PX
MS3122E14-5P	MS3126F14-5S
MS3122E14-5S	MS3126F14-5P
DPXB-8-34P-0101-A152	DPXB-8-33S-0101-A152
MS3509	MS25182-2 or MS3349-2
Amp 206060-1	Amp 206153-1
M8 Threaded Terminals	8mm or 5/16" Ring Terminals

**NOTE: IF BATTERY RECEPTACLE IS NOT LISTED ABOVE, CONTACT CONCORDE FOR ASSISTANCE.**

CONCORDE BATTERY CORPORATION  
COMPONENT MAINTENANCE MANUAL  
RG® SERIES EMERGENCY AIRCRAFT BATTERY

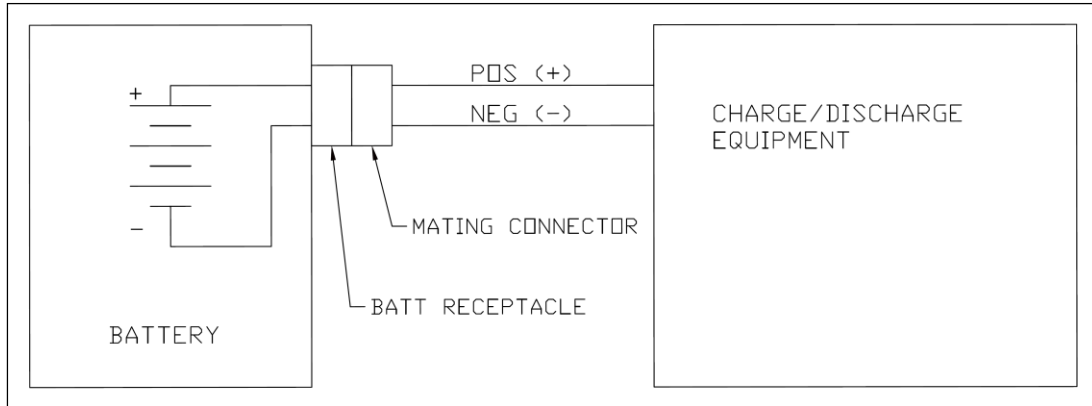


Figure 101. Test Set Up for RG® Series Emergency Batteries with Receptacles

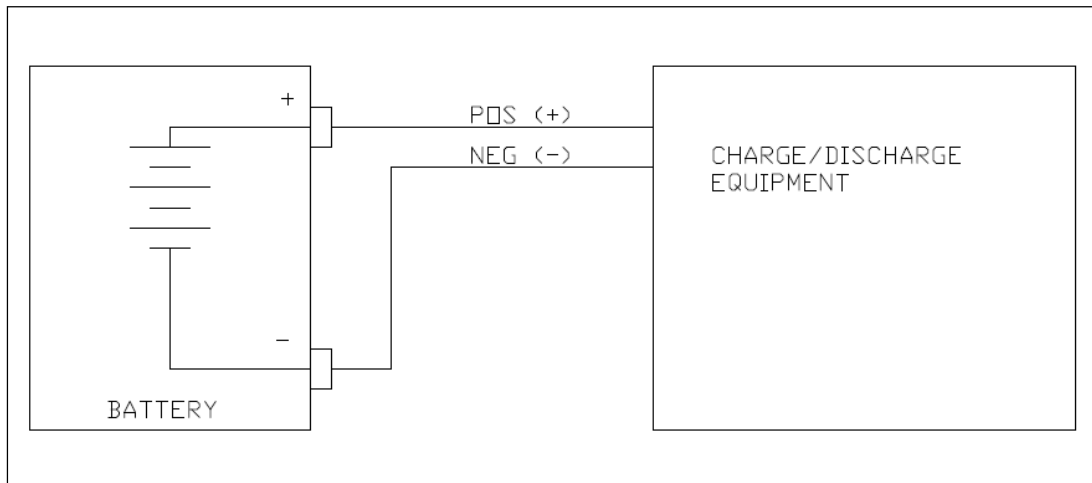


Figure 102. Test Set Up for RG® Series Emergency Batteries with Threaded Terminals

CONCORDE BATTERY CORPORATION  
COMPONENT MAINTENANCE MANUAL  
RG® SERIES EMERGENCY AIRCRAFT BATTERY

6. Capacity Check Procedure

- A. If the battery is cold, warm it up to at least 20°C (68°F) before testing.
- B. If the OCV is 20 volts or above, charge the battery at constant potential per Section 7. If the OCV is below 20 volts, perform the deep discharge recovery charge per Section 9.
- C. Connect the battery to the discharge equipment and discharge at the C1 rate on the label (i.e., 3.5 Amps for a 3.5 AH battery).
- D. Discharge the battery to an EPV of 20 volts or other EPV specified by the airframe or equipment manufacturer.
- E. Record the minutes to the EPV and the % capacity (% capacity = discharge minutes x 1.667) in the Battery Maintenance Log. An example Battery Maintenance Log is provided in Appendix A; alternate formats are acceptable.
- F. The battery passes the capacity test if the time to the EPV is 51 minutes or greater (85% of rated C1 capacity or greater).
- G. The battery is over 90% of rated capacity if the time to the EPV is greater than 54 minutes.

**NOTE: AIRFRAME OR ACCESSORY EQUIPMENT MANUFACTURERS MAY SPECIFY A DIFFERENT CAPACITY REQUIREMENT, WHICH SHOULD TAKE PRECEDENCE.**

- H. If the battery passes the capacity check, charge at constant potential per Section 7 and return battery to full state of charge. The battery is acceptable for installation.
- I. If the battery fails the capacity check, perform the conditioning procedure given in Section 8. After the battery has been conditioned repeat the capacity test.
- J. If the battery passes the second capacity test, charge at constant potential per Section 7 and return battery to full state of charge. The battery is acceptable for installation.
- K. If the battery fails the second capacity test, repeat the conditioning charge per Section 8 and repeat the capacity test.
- L. If the battery passes the third capacity test, charge at constant potential per Section 7 and return battery to full state of charge. The battery is acceptable for installation.
- M. If the battery fails the third capacity test, the battery should be replaced.
- N. If the battery gets very hot (greater than 55°C/130°F) during constant potential charging, the battery should be replaced.

CONCORDE BATTERY CORPORATION  
COMPONENT MAINTENANCE MANUAL  
RG® SERIES EMERGENCY AIRCRAFT BATTERY

7. Constant Potential Charge Procedure

**NOTE: CONSTANT POTENTIAL CHARGING IS THE PREFERRED METHOD OF CHARGING THE BATTERY. IF THE BATTERY DOES NOT PASS THE CAPACITY TEST, THE CONDITIONING CHARGE PROCEDURE SHOULD THEN BE USED.**

- A. Connect the battery terminals to the constant potential charging equipment.
- B. Apply a constant potential of  $28.2 \pm 0.2$  volts with a current capability of at least C1 amperes.
- C. Charge until the charge current falls below 5% of the battery C1 rating (i.e., 0.25A for a 5AH battery) and then continue charging at the same constant potential for a minimum of 4 more hours.

**NOTE: TERMINATE CHARGING IF THE CHARGE CURRENT DOES NOT FALL BELOW 5% OF THE BATTERY C1 RATING WITHIN 8 HOURS.**

8. Conditioning Charge Procedure

**WARNING: THIS PROCEDURE SHOULD ONLY BE DONE IN A WELL VENTILATED AREA BECAUSE A SIGNIFICANT AMOUNT OF HYDROGEN GAS MAY BE RELEASED FROM THE BATTERY.**

**CAUTION (1): A CONDITIONING CHARGE IS ONLY NECESSARY IF THE BATTERY FAILS THE CAPACITY TEST. THIS PROCEDURE MAY SHORTEN THE BATTERY'S LIFE IF PERFORMED ON A REPETITIVE BASIS.**

**CAUTION (2): THIS PROCEDURE WILL CAUSE THE BATTERY VOLTAGE TO GO AS HIGH AS 34 VOLTS WHICH COULD DAMAGE ELECTRONIC CIRCUITS CONNECTED TO A BATTERY BUS. DO NOT PERFORM A CONDITIONING CHARGE WHILE THE BATTERY IS INSTALLED IN AN AIRCRAFT.**

**CAUTION (3): IF THE BATTERY BECOMES HOT (ABOVE 55°C/130°F) DURING THIS CHARGE, STOP THE CURRENT AND ALLOW THE BATTERY TO COOL TO ROOM TEMPERATURE BEFORE CONTINUING THE CHARGE.**

**NOTE (1): CHARGING EQUIPMENT USED FOR THIS PROCEDURE MUST BE CAPABLE OF OUTPUTTING AT LEAST 34 VOLTS TO MAINTAIN A CONSTANT CURRENT THROUGHOUT THE ENTIRE CHARGE PERIOD.**

**NOTE (2): IF A BATTERY REQUIRES A CONDITIONING CHARGE TO PASS THE CAPACITY TEST, SUBSEQUENT CAPACITY CHECKS SHOULD BE AT THE INCREASED FREQUENCY SPECIFIED IN PARAGRAPH 1 OF THIS SECTION (6 MONTHS/500 HOURS).**

CONCORDE BATTERY CORPORATION  
COMPONENT MAINTENANCE MANUAL  
RG® SERIES EMERGENCY AIRCRAFT BATTERY

- A. Discharge the battery at the C1 rate to an EPV of 20 volts. If the battery has already been discharged to this EPV, skip this step.
- B. Connect the battery to the constant current charging equipment per Table 101.
- C. Charge at a constant current rate of C1 /10 (i.e., 0.35 Amp for a 3.5 Ah battery) for 16 hours and then discontinue charging. The conditioning charge does not need to be continuous, i.e., pauses may be included. For example, an 8 hour charge on the first day followed by an 8 hour charge on the second day is allowable.
- D. After charging, allow the battery to cool down for at least 8 hours or until the battery temperature is within 10°C/18°F of the ambient temperature, then proceed with the capacity test.

9. Deep Discharge Recovery Procedure

**WARNING: THIS PROCEDURE SHOULD ONLY BE DONE IN A WELL VENTILATED AREA BECAUSE A SIGNIFICANT AMOUNT OF HYDROGEN GAS MAY BE RELEASED FROM THE BATTERY.**

**CAUTION (1): THIS PROCEDURE WILL CAUSE THE BATTERY VOLTAGE TO GO AS HIGH AS 34 VOLTS (17 VOLTS FOR 12V BATTERIES) WHICH COULD DAMAGE ELECTRONIC CIRCUITS CONNECTED TO A BATTERY BUS. DO NOT PERFORM A DEEP DISCHARGE RECOVERY CHARGE WHILE THE BATTERY IS INSTALLED IN AN AIRCRAFT.**

**CAUTION (2): IF THE BATTERY BECOMES HOT (ABOVE 55°C/130°F) DURING THE CHARGE, STOP THE CURRENT AND ALLOW THE BATTERY TO COOL TO ROOM TEMPERATURE BEFORE CONTINUING THE CHARGE.**

**NOTE: CHARGING EQUIPMENT USED FOR THIS PROCEDURE MUST BE CAPABLE OF OUTPUTTING AT LEAST 34 VOLTS TO MAINTAIN A CONSTANT CURRENT THROUGHOUT THE ENTIRE CHARGE PERIOD.**

- A. Connect the battery to the constant current charging equipment per Table 101.
- B. Charge at a constant current rate of C1/10 (i.e., 0.35 Amp for a 3.5 Ah battery) until the battery voltage reaches 31.0 and then continue charging at the same constant current rate for an additional 4 hours. The charge cycle should be continuous when using this method, i.e., no pauses should be included. However, if there is an interruption (e.g., due to a local power outage), continue from where the profile stopped and run to completion.

CONCORDE BATTERY CORPORATION  
 COMPONENT MAINTENANCE MANUAL  
 RG® SERIES EMERGENCY AIRCRAFT BATTERY

**NOTE (1): IF THE BATTERY VOLTAGE EXCEEDS 31 VOLTS AT THE BEGINNING OF CHARGE AND THEN DROPS BELOW 31 VOLTS WITHIN 2 HOURS, CONTINUE CHARGING AT CONSTANT CURRENT UNTIL THE VOLTAGE REACHES 31 VOLTS A SECOND TIME. THEN CONTINUE CHARGING FOR AN ADDITIONAL 4 HOURS AS SPECIFIED ABOVE.**

**NOTE (2): IF THE BATTERY VOLTAGE DOES NOT REACH 31 VOLTS WITHIN 24 HOURS, THE CHARGE SHOULD BE TERMINATED.**

- C. After the charge is complete, allow the battery to cool down for at least 8 hours or until the battery temperature is within 10°C/18°F of the ambient temperature, then proceed with the capacity test.

10. Fault Isolation Summary

Symptom	Probable Cause	Corrective Action
Low voltage / no voltage.	Battery partially or fully discharged.	Perform capacity test.
	Battery fuse blown or circuit breaker tripped.	Replace fuse or reset circuit breaker.
Battery capacity less than 85% of rating.	Battery cells beyond serviceable life.	Replace battery.
Battery does not hold charge.	Battery cells beyond serviceable life.	Replace battery.
Battery gets hot during constant potential charging.	Battery cells beyond serviceable life.	Replace battery.

CONCORDE BATTERY CORPORATION  
COMPONENT MAINTENANCE MANUAL  
RG® SERIES EMERGENCY AIRCRAFT BATTERY

**SCHEMATIC AND WIRING DIAGRAMS**

1. General

- A. Schematic diagrams and/or polarity markings are shown on the envelope drawing of each specific battery model.
- B. The latest approved envelope drawings are available on Concorde's website (see front page of this CMM).
- C. If internet access is not available, contact Concorde for assistance (see front page of this CMM).



CONCORDE BATTERY CORPORATION  
COMPONENT MAINTENANCE MANUAL  
RG® SERIES EMERGENCY AIRCRAFT BATTERY  
**DISASSEMBLY**

1. General

- A. Batteries covered by this CMM have no field-replaceable components and are not designed for disassembly/re-assembly.

CONCORDE BATTERY CORPORATION  
COMPONENT MAINTENANCE MANUAL  
RG® SERIES EMERGENCY AIRCRAFT BATTERY  
**CLEANING**

1. General

- A. This section contains general cleaning instructions for Concorde aircraft batteries.
- B. Clean battery when it is being serviced for capacity testing.
- C. Batteries do not need to be disassembled for cleaning.

**CAUTION: DO NOT USE ANY TYPE OF SOLVENT TO CLEAN THE BATTERY. SOLVENTS MAY DAMAGE THE BATTERY.**

2. Tools, Fixtures, Equipment and Consumables

- A. Consumables: Lint-free shop cloth (commercially available) and tap water (commercially available).

3. External Cleaning

- A. Clean the outside surfaces of the battery with a lint-free shop cloth that is clean, dry, and free of oil.
- B. If the battery has caked-on dirt or grime, use a cloth dampened with tap water, then wipe dry.

4. Internal Cleaning:

- A. Internal cleaning is not required.

CONCORDE BATTERY CORPORATION  
COMPONENT MAINTENANCE MANUAL  
RG® SERIES EMERGENCY AIRCRAFT BATTERY

**CHECK**

1. General
  - A. This section contains general checking instructions for Concorde aircraft batteries.
  - B. Check battery when it is being serviced for capacity testing.
  - C. Batteries do not need to be disassembled for checking.
  
2. Tools, Fixtures, Equipment and Consumables
  - A. None required.
  
3. External Checking
  - A. Check the outside surfaces of the battery and electrical connector(s) for deterioration or corrosion that may affect the battery's operation.
  - B. Check the battery for loose or missing fasteners.
  - C. Check the identification and informational labels to ensure they are legible and securely attached.
  - D. If the above checks reveal items that need attention, repair or replace battery as appropriate.
  
4. Internal Checking
  - A. Internal checks are not required.

CONCORDE BATTERY CORPORATION  
COMPONENT MAINTENANCE MANUAL  
RG® SERIES EMERGENCY AIRCRAFT BATTERY

**REPAIR AND DISPOSAL**

1. General

- A. Batteries covered by this CMM have no internal components that are repairable. The battery assembly must be replaced when internal components (e.g., battery cells) fail or wear out.
- B. Refer to the Section on TESTING AND FAULT ISOLATION to determine if the battery assembly needs to be replaced.
- C. If the battery is not subjected to capacity testing in accordance with Section 1 under TESTING AND FAULT ISOLATION, it is recommended that the battery be replaced when it reaches 4 years of service life.
- D. If external repairs are needed to the battery assembly, have it serviced in an authorized repair facility or contact Concorde for assistance (see front page of this CMM).

2. Disposal

- A. Concorde aircraft batteries contain lead, sulfuric acid, and other hazardous materials. Never discard batteries in the trash or in a landfill.
- B. The battery materials are recyclable. Dispose spent batteries and assemblies in accordance with local ordinances and regulations.
- C. The batteries are encased in aluminum containers, which need to be removed before the battery cells are sent to a lead smelter for recycling. Make sure the recycling collector is aware of this requirement.
- D. See battery Material Safety Data Sheet (MSDS) for additional information.

CONCORDE BATTERY CORPORATION  
COMPONENT MAINTENANCE MANUAL  
RG® SERIES EMERGENCY AIRCRAFT BATTERY  
**ASSEMBLY**

1. General

- A. Batteries covered by this CMM have no field-replaceable components and are not designed for disassembly/re-assembly.

CONCORDE BATTERY CORPORATION  
COMPONENT MAINTENANCE MANUAL  
RG® SERIES EMERGENCY AIRCRAFT BATTERY

**FITS AND CLEARANCES**

1. General

- A. Refer to the envelope drawing for each specific battery model. The envelope drawing provides overall dimensions, mounting provisions, and maximum weight of the battery.
- B. The latest approved envelope drawings are available on Concorde's website (see front page of this CMM).
- C. If internet access is not available, contact Concorde for assistance (see front page of this CMM).

CONCORDE BATTERY CORPORATION  
COMPONENT MAINTENANCE MANUAL  
RG® SERIES EMERGENCY AIRCRAFT BATTERY

**SPECIAL TOOLS, FIXTURES AND EQUIPMENT AND CONSUMABLES**

1. Tools  
A. Not applicable.
2. Fixtures  
A. Not applicable.
3. Equipment  
A. Refer to Tables 901 and 902.

**NOTE: EQUIVALENT SUBSTITUTES MAY BE USED FOR THESE ITEMS.**

4. Consumables  
A. Lint-free cloth (commercially available).  
B. Tap water (commercially available).

CONCORDE BATTERY CORPORATION  
 COMPONENT MAINTENANCE MANUAL  
 RG® SERIES EMERGENCY AIRCRAFT BATTERY

Table 901. List of Test Equipment

Description	Source	Part Number	Purpose
Electronic Load, capable of constant current at C1 ADC and 20-28 VDC with EPV termination at 20 VDC.	Commercially Available	N/A	Capacity Testing
Constant Voltage Power Supply, capable of 28.0 – 28.5 VDC and at least C1 ADC output.	Commercially Available	N/A	Constant Potential Charging
Constant Current Power Supply, capable of C1/10 ADC and at least 34 VDC output.	Commercially Available	N/A	Constant Current Charging
Digital Multimeter (DMM), capable 18-34 VDC with accuracy of 1% or better.	Commercially Available	N/A	Measuring OCV
Mating Connector	Various	See Table 902	Connect Battery to Test Equipment

Table 902. List of Mating Connectors

Battery Receptacle (Shown on envelope drawing)	Mating Connector (Obtain locally)
MS27466T15B5S	MS27467T15B5P
MS27466T17B6S	MS27467T17B6P
MS3102A 16-10P	MS3106A16-10S
MS3102A 20-24S	MS3106A20-24P
MS3102R-14S-7S	MS3106R14S-7P
MS3120E14-5S	MS3126E14-5P
MS3120E14-5SW	MS3126E14-5PW
MS3120E14-5SX	MS3126E14-5PX
MS3122E14-5P	MS3126F14-5S
MS3122E14-5S	MS3126F14-5P
DPXB-8-34P-0101-A152	DPXB-8-33S-0101-A152
MS3509	MS25182-2 or MS3349-2
Amp 206060-1	Amp 206153-1
M8 Threaded Terminals	8mm or 5/16" Ring Terminals



CONCORDE BATTERY CORPORATION  
COMPONENT MAINTENANCE MANUAL  
RG® SERIES EMERGENCY AIRCRAFT BATTERY

**STORAGE (INCLUDING TRANSPORTATION)**

1. Storage Conditions

- A. Batteries are serviced and charged at the factory prior to shipment.
- B. To minimize self-discharge, batteries should be stored in a cool location, ideally below 20°C (68°F).
- C. The open circuit voltage (OCV) of a fully charged battery is approximately 26.0 volts. As the battery state of charge drops due to self-discharge, its OCV also declines.
- D. Batteries should be boost charged per Section 6 when the OCV declines to 25.0 volts.
- E. Batteries with an OCV below 25.0 volts must be capacity tested per Section 7 before being placed in service.
- F. Batteries in storage for longer than 24 months must be capacity tested per Section 7 before being placed in service.

**CAUTION: WHEN BATTERIES ARE INSTALLED IN AIRCRAFT DURING STORAGE (OR EXTENDED PERIODS OF NON-USE), IT IS BEST TO DISCONNECT THE BATTERY CONNECTOR. THIS PRACTICE WILL ELIMINATE UNNECESSARY DRAIN ON THE BATTERY WHEN PARASITIC LOADS ARE PRESENT. OTHERWISE, THE BATTERY SERVICE LIFE MAY BE ADVERSELY AFFECTED.**

2. Storage Facilities

- A. Concorde valve regulated lead-acid aircraft batteries may be stored and serviced in any battery facility, including nickel-cadmium service facilities. These batteries are sealed to prevent cross contamination of the electrolyte.
- B. Lead-acid batteries can produce explosive mixtures of hydrogen and oxygen while being charged or discharged. Never service batteries in an airtight or sealed enclosure and make sure the work area is well ventilated.

3. Tools, Fixtures, Equipment and Consumables

- A. Refer to Table 101 and 102.

4. Test Set Up

- A. Refer to Figure 101.

5. Preparation for Installation

- A. Remove battery from the shipping carton and visually inspect the battery for signs of damage. Do not use the battery if it appears to be damaged, contact Concorde for assistance.
- B. Measure the battery's open circuit voltage (OCV) with a DMM.
- C. If the OCV equals or exceeds 25.5 volts, the battery can be installed in the aircraft without charging.
- D. If the OCV is between 25.0 and 25.5 volts, apply a boost charge per Section 6. The battery can then be installed in the aircraft.

CONCORDE BATTERY CORPORATION  
COMPONENT MAINTENANCE MANUAL  
RG® SERIES EMERGENCY AIRCRAFT BATTERY

- E. If the OCV is below 25.0 volts (12.5 volts for a 12 volt battery), perform a capacity test per Section 7 before installing in the aircraft.
- F. Batteries in storage for longer than 24 months must be capacity tested per Section 7 before being placed in service.

6. Constant Potential Charge Procedure

**NOTE: CONSTANT POTENTIAL CHARGING IS THE PREFERRED METHOD OF CHARGING THE BATTERY. IF THE BATTERY FAILS THE CAPACITY TEST, THE CONDITIONING CHARGE PROCEDURE SHOULD BE USED.**

- A. Connect the battery terminals to the constant voltage charging equipment.
- B. Apply a constant potential of  $28.2 \pm 0.2$  volts with a current capability of at least C1 amperes.
- C. Charge until the charge current falls below 5% of the battery C1 rating (i.e., 0.25A for a 5AH battery) and then continue charging at the same constant potential for a minimum of 4 more hours.

**NOTE: TERMINATE CHARGING IF THE CHARGE CURRENT DOES NOT FALL BELOW 5% OF THE BATTERY C1 RATING WITHIN 8 HOURS.**

7. Capacity Test Procedure

- A. If the battery is cold, warm it up to at least 20°C (68°F) before testing.
- B. If the OCV is 20 volts or above, charge the battery at constant potential per Section 6. If the OCV is below 20 volts, perform the deep discharge recovery charge per Section 9.
- C. Connect the battery to the discharge equipment and discharge at the C1 rate on the label (i.e., 3.5 Amps for a 3.5 AH battery).
- D. Discharge the battery to an end point voltage of 20 volts or other EPV specified by the airframe or equipment manufacturer.
- E. Record the minutes to the EPV and the % capacity (%capacity = discharge minutes x 1.667) in the Battery Maintenance Log. An example Maintenance Log is provided in Appendix A; alternate formats are acceptable.
- F. The battery passes the capacity test if the time to the EPV is 51 minutes or greater (85% of rated C1 capacity or greater).
- G. The battery is over 90% of rated capacity if the time to the EPV is greater than 54 minutes.

**NOTE: AIRFRAME OR ACCESSORY EQUIPMENT MANUFACTURERS MAY SPECIFY A DIFFERENT CAPACITY REQUIREMENT, WHICH SHOULD TAKE PRECEDENCE.**

- H. If the battery passes the capacity test, charge at constant potential per Section 6 and return battery to full state of charge. The battery is acceptable for installation.

CONCORDE BATTERY CORPORATION  
COMPONENT MAINTENANCE MANUAL  
RG® SERIES EMERGENCY AIRCRAFT BATTERY

- I. If the battery fails the capacity test, perform the conditioning procedure given in Section 8. After the battery has been conditioned repeat the capacity test.
- J. If the battery passes the second capacity test, charge at constant potential per Section 6 and return battery to full state of charge. The battery is acceptable for installation.
- K. If the battery fails the second capacity test, repeat the conditioning charge per Section 8 and repeat the capacity test.
- L. If the battery passes the third capacity test, charge at constant potential per Section 6 and return battery to full state of charge. The battery is acceptable for installation.
- M. If the battery fails the third capacity test, the battery should be replaced.
- N. If the battery gets very hot (greater than 55°C/130°F) during constant potential charging, the battery should be replaced.

8. Conditioning Charge Procedure

**WARNING: THIS PROCEDURE SHOULD ONLY BE DONE IN A WELL VENTILATED AREA BECAUSE A SIGNIFICANT AMOUNT OF HYDROGEN GAS MAY BE RELEASED FROM THE BATTERY.**

**CAUTION (1): A CONDITIONING CHARGE IS ONLY NECESSARY IF THE BATTERY FAILS THE CAPACITY TEST. THIS PROCEDURE MAY SHORTEN THE BATTERY'S LIFE IF PERFORMED ON A REPETITIVE BASIS.**

**CAUTION (2): THIS PROCEDURE WILL CAUSE THE BATTERY VOLTAGE TO GO AS HIGH AS 34 VOLTS WHICH COULD DAMAGE ELECTRONIC CIRCUITS CONNECTED TO A BATTERY BUS. DO NOT PERFORM A CONDITIONING CHARGE WHILE THE BATTERY IS INSTALLED IN AN AIRCRAFT.**

**CAUTION (3): IF THE BATTERY BECOMES HOT (ABOVE 55°C/130°F) DURING THIS CHARGE, STOP THE CURRENT AND ALLOW THE BATTERY TO COOL TO ROOM TEMPERATURE BEFORE CONTINUING THE CHARGE.**

**NOTE: CHARGING EQUIPMENT USED FOR THIS PROCEDURE MUST BE CAPABLE OF OUTPUTTING AT LEAST 34 VOLTS (17 VOLTS FOR 12 VOLT BATTERIES) TO MAINTAIN A CONSTANT CURRENT THROUGHOUT THE ENTIRE CHARGE PERIOD.**

- A. Discharge the battery at the C1 rate to an EPV of 20 volts. If the battery has already discharged to this EPV, skip this step.
- B. Connect the battery to the constant current charging equipment per Table 901.
- C. Charge at a constant current rate of C1 /10 (i.e., 0.35 Amps for a 3.5 Ah battery) for 16 hours and then discontinue charging. The conditioning charge does not need to be continuous, i.e., pauses may be included. For example, an 8 hour charge on the first day followed by an 8 hour charge on the second day is acceptable.

CONCORDE BATTERY CORPORATION  
COMPONENT MAINTENANCE MANUAL  
RG® SERIES EMERGENCY AIRCRAFT BATTERY

- D. After the conditioning charging, allow the battery to cool down for at least 8 hours or until the battery temperature is within 10°C/18°F of the ambient temperature, then proceed with the capacity test.

9. Deep Discharge Recovery Procedure

**WARNING: THIS PROCEDURE SHOULD ONLY BE DONE IN A WELL VENTILATED AREA BECAUSE A SIGNIFICANT AMOUNT OF HYDROGEN GAS MAY BE RELEASED FROM THE BATTERY.**

**CAUTION (1): THIS PROCEDURE WILL CAUSE THE BATTERY VOLTAGE TO GO AS HIGH AS 34 VOLTS (17 VOLTS FOR 12V BATTERIES) WHICH COULD DAMAGE ELECTRONIC CIRCUITS CONNECTED TO A BATTERY BUS. DO NOT PERFORM A CONDITIONING CHARGE WHILE THE BATTERY IS INSTALLED IN AN AIRCRAFT.**

**CAUTION (2): IF BATTERY BECOMES HOT (ABOVE 55°C/130°F) DURING THE CONDITIONING CHARGE, STOP THE CURRENT AND ALLOW BATTERY TO COOL TO ROOM TEMPERATURE BEFORE CONTINUING THE CHARGE.**

**NOTE: CHARGING EQUIPMENT USED FOR THIS PROCEDURE MUST BE CAPABLE OF OUTPUTTING AT LEAST 34 VOLTS TO MAINTAIN A CONSTANT CURRENT THROUGHOUT THE ENTIRE CHARGE PERIOD.**

- A. Connect the battery to the constant current charging equipment per Table 901.  
B. Charge at a constant current rate of C1/10 (i.e., 0.35 Amps for a 3.5 Ah battery) until the battery voltage reaches 31.0 volts and then continue charging at the same constant current rate for an additional 4 hours. The charge cycle should be continuous when using this method, i.e., no pauses should be included. However, if there is an interruption (e.g., due to a local power outage), continue from where the profile stopped and run to completion.

**NOTE (1): IF THE BATTERY VOLTAGE EXCEEDS 31 VOLTS AT THE BEGINNING OF CHARGE AND THEN DROPS BELOW 31 VOLTS WITHIN 2 HOURS, CONTINUE CHARGING AT CONSTANT CURRENT UNTIL THE VOLTAGE REACHES 31 VOLTS A SECOND TIME. THEN CONTINUE CHARGING FOR AN ADDITIONAL 4 HOURS AS SPECIFIED ABOVE.**

**NOTE (2): IF THE BATTERY VOLTAGE DOES NOT REACH 31 VOLTS WITHIN 24 HOURS, THE CHARGE SHOULD BE TERMINATED.**

CONCORDE BATTERY CORPORATION  
COMPONENT MAINTENANCE MANUAL  
RG® SERIES EMERGENCY AIRCRAFT BATTERY

- C. After the charge is complete, allow the battery to cool down for at least 8 hours or until the battery temperature is within 10°C/18°F of the ambient temperature, then proceed with the capacity test.

10. Transportation

- A. If the OCV is less than 25.5 volts, charge the battery at constant potential per Section 6 before shipment.
- B. The battery should be packaged in its original container. If the original container is not available, follow local packaging regulations applicable to the mode of transport.
- C. RG® Series batteries are classified as a “NONSPILLABLE BATTERY” and comply with hazardous shipping exceptions of the International Air Transport Association (IATA) Dangerous Goods Regulations, International Maritime Dangerous Goods (IMDG) Code, and US Department of Transportation (DOT). As such, they can be shipped as non-hazardous by any means when packaged in original container and terminals are protected from short circuit. Refer to battery MSDS for additional information, including shipping paper requirements

CONCORDE BATTERY CORPORATION  
 COMPONENT MAINTENANCE MANUAL  
 RG® SERIES EMERGENCY AIRCRAFT BATTERY

APPENDIX A – BATTERY MAINTENANCE LOG

Concorde Battery P/N:		Battery S/N:	
Date of Initial Installation:	A/C Hours @ Date of Installation:		
	OCV @ Time of Installation:		V
Aircraft Make:	Model:	S/N:	
1 <sup>st</sup> Removal Date:	A/C Hours @ Date of Removal:		
Reason for Removal:	Capacity Check	%	Minutes
Date Reinstalled:	A/C Hours @ Date of Reinstallation:		
	OCV @ Time of Reinstallation:		V
Aircraft Make:	Model:	S/N:	
2 <sup>nd</sup> Removal Date:	A/C Hours @ Date of Removal:		
Reason for Removal:	Capacity Check	%	Minutes
Date Reinstalled:	A/C Hours @ Date of Reinstallation:		
	OCV @ Time of Reinstallation:		V
Aircraft Make:	Model:	S/N:	
3 <sup>rd</sup> Removal Date:	A/C Hours @ Date of Removal:		
Reason for Removal:	Capacity Check	%	Minutes
Date Reinstalled:	A/C Hours @ Date of Reinstallation:		
	OCV @ Time of Reinstallation:		V
Aircraft Make:	Model:	S/N:	
4 <sup>th</sup> Removal Date:	A/C Hours Date of Removal:		
Reason for Removal:	Capacity Check	%	Minutes
Date Reinstalled:	A/C Hours Date of Reinstallation:		
	OCV @ Time of Reinstallation:		V
Aircraft Make:	Model:	S/N:	
5 <sup>th</sup> Removal Date:	A/C Hours @ Date of Removal:		
Reason for Removal:	Capacity Check	%	Minutes
Date Reinstalled:	A/C Hours Date of Reinstallation:		
	OCV @ Time of Reinstallation:		V
Aircraft Make:	Model:	S/N:	
6 <sup>th</sup> Removal Date:	A/C Hours @ Date of Removal:		
Reason for Removal:	Capacity Check	%	Minutes