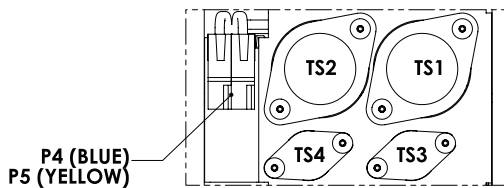
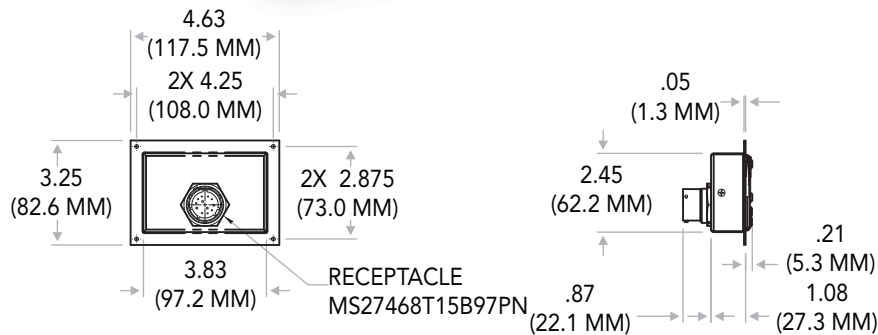
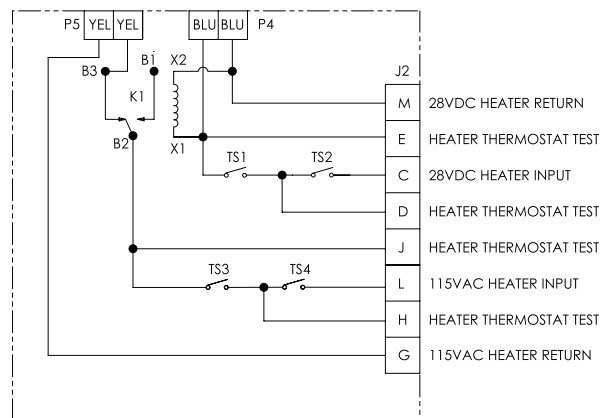


HCU-3 - 28 VDC and 115 VAC Single Connector Heater Control Unit



BACK VIEW
 (CROPPED)



ELECTRICAL SCHEMATIC

*For use with Concorde RG-390EH, RG-380E/44H & RG-380E/60H heated series of batteries

Heater Control Unit HCU-3