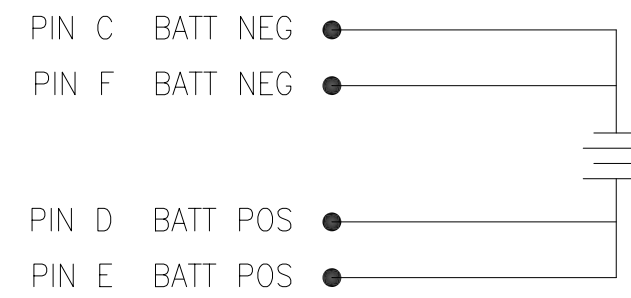
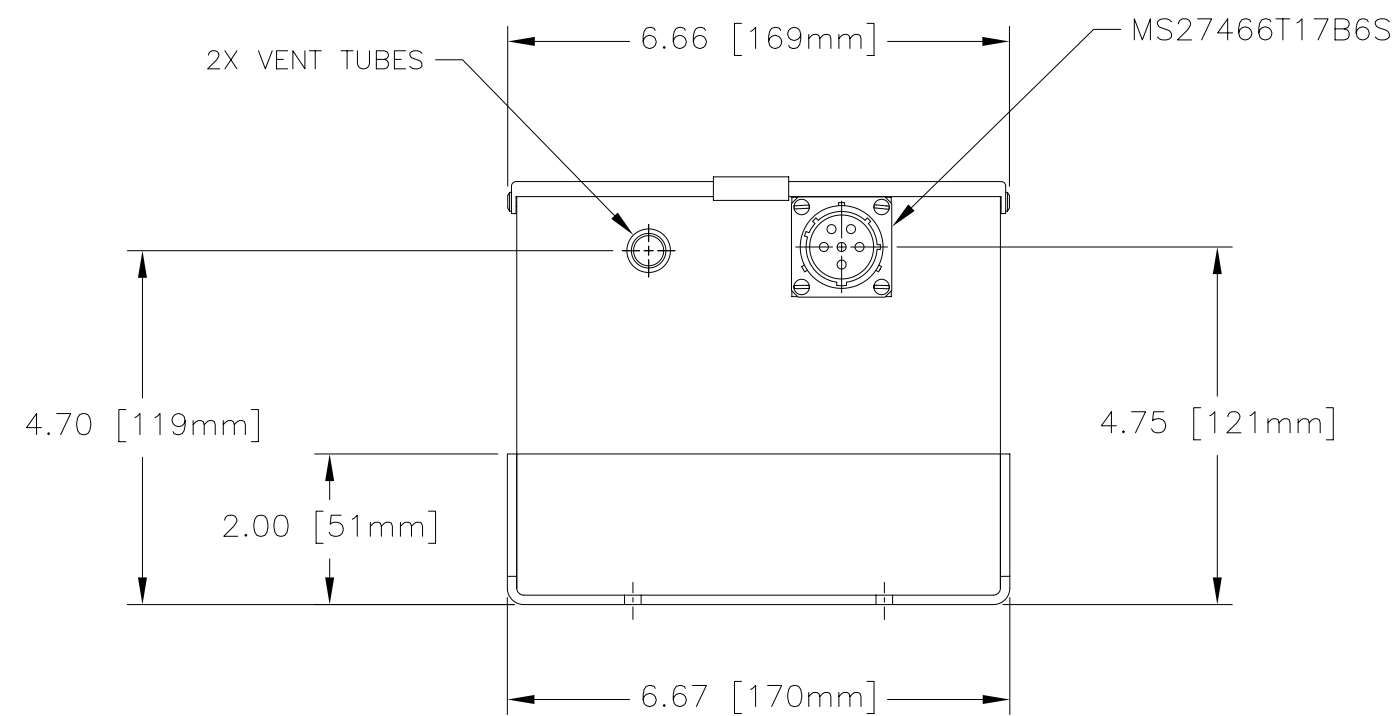
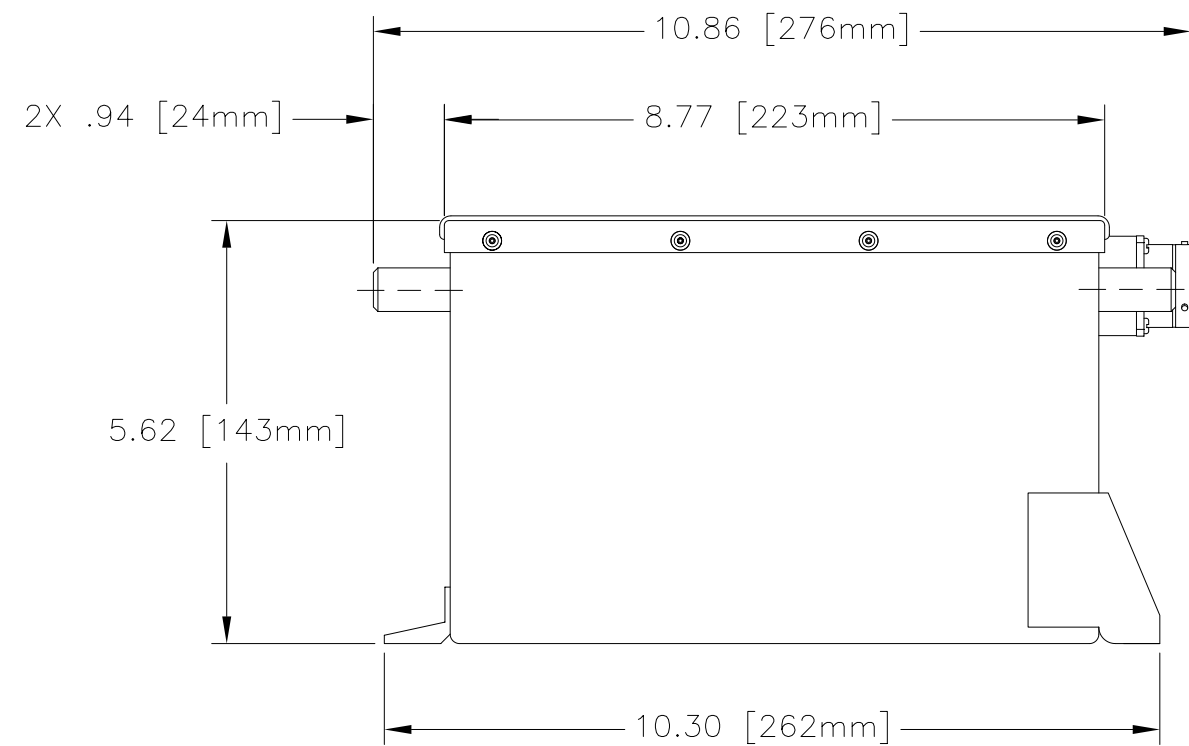
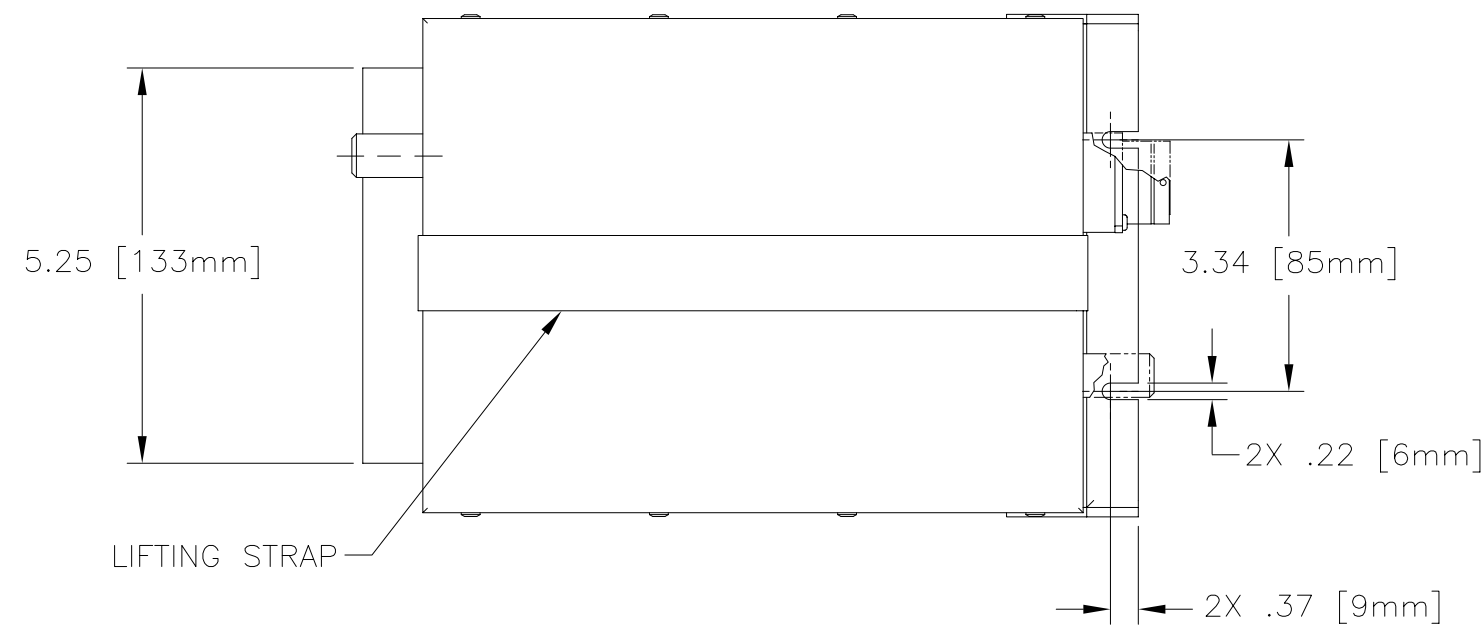


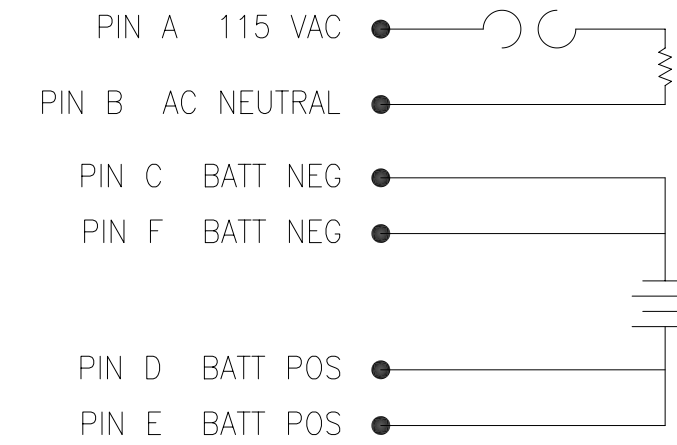
NOTES: UNLESS OTHERWISE SPECIFIED

- BATTERY CONFORMS TO THE DESIGN REQUIREMENTS OF 14 CFR PARTS 23.1353, 25.1353(c), 27.1353, 29.1353(c).
- INSPECT PER FAR 21.303(h) QUALITY SYSTEM.
- ABBREVIATION USED IN TITLE IS: VALVE REGULATED SEALED LEAD ACID (VRSLA).
- SEE DRAWING NO. CB-00360 AND PROCEDURE P-1000 FOR ASSEMBLY AND TEST INSTRUCTION. PROCEDURES AND ASSEMBLY DRAWINGS ARE FOR INTERNAL USE ONLY.
- BATTERIES ARE RATED IAW INTERNATIONAL ELECTROTECHNICAL COMMISSION STANDARD 60952-1, UNLESS OTHERWISE NOTED.
- DIMENSIONS ARE IN INCH [MILLIMETERS].

REVISIONS			
REV	DESCRIPTION	DATE	APPROVED
A	ADDED LIFTING STRAP	6/12/07	JBT



RG-130-1  
CONNECTOR SCHEMATIC DIAGRAM



RG-130-2  
CONNECTOR SCHEMATIC DIAGRAM

PART NUMBER	RG-130-1			RG-130-2		
MAXIMUM WEIGHT	26.0 LBS [11.8 KG]			26.0 LBS [11.8 KG]		
RATED CAPACITY, C <sub>1</sub>	11.0 AH			11.0 AH		
POWER RATING	NOT RATED			NOT RATED		
TEST TEMPERATURE	@23°C (74°F)	@-18°C (0°F)	@-30°C (-22°F)	@23°C (74°F)	@-18°C (0°F)	@-30°C (-22°F)
CAPACITY, 11.0 A	11.0 AH	7.9 AH	5.6 AH	11.0 AH	10.6 AH	10.6 AH
RAPID DISCHARGE, 66 A	8.7 AH	NOT RATED	4.1 AH	8.7 AH	NOT RATED	7.1 AH
INTERNAL AC HEATER	NONE			3A MAX @ 115 VAC		

ENVELOPE DRAWING

QTY REQD	CAGE CODE	PART OR IDENTIFYING NO.	NOMENCLATURE OR DESCRIPTION	MATERIAL SPECIFICATION	ITEM NO.
PARTS LIST					
UNLESS OTHERWISE SPECIFIED DIMENSIONS ARE IN INCHES TOLERANCES ARE:		CONTRACT NO.		CONCORDE BATTERY CORPORATION	
FRACTIONS	DECIMALS	ANGLES	APPROVALS	DATE	TITLE
± 1/32	.XX ± .06	± 1°	D. AYALA	8/29/06	BATTERY, VRSLA, 24 VOLT, RG-130 SERIES
	.XXX ± .030		CHECKED	AMIII	11/1/06
TREATMENT	NONE	APPROVED	JBT	11/2/06	SIZE C
FINISH	NONE	ISSUED	NS	6/18/07	CAGE CODE 63017
SIMILAR TO	ACT WT	CALC WT			DWG NO. RG-130
					SCALE NONE
					SHEET 1 OF 1