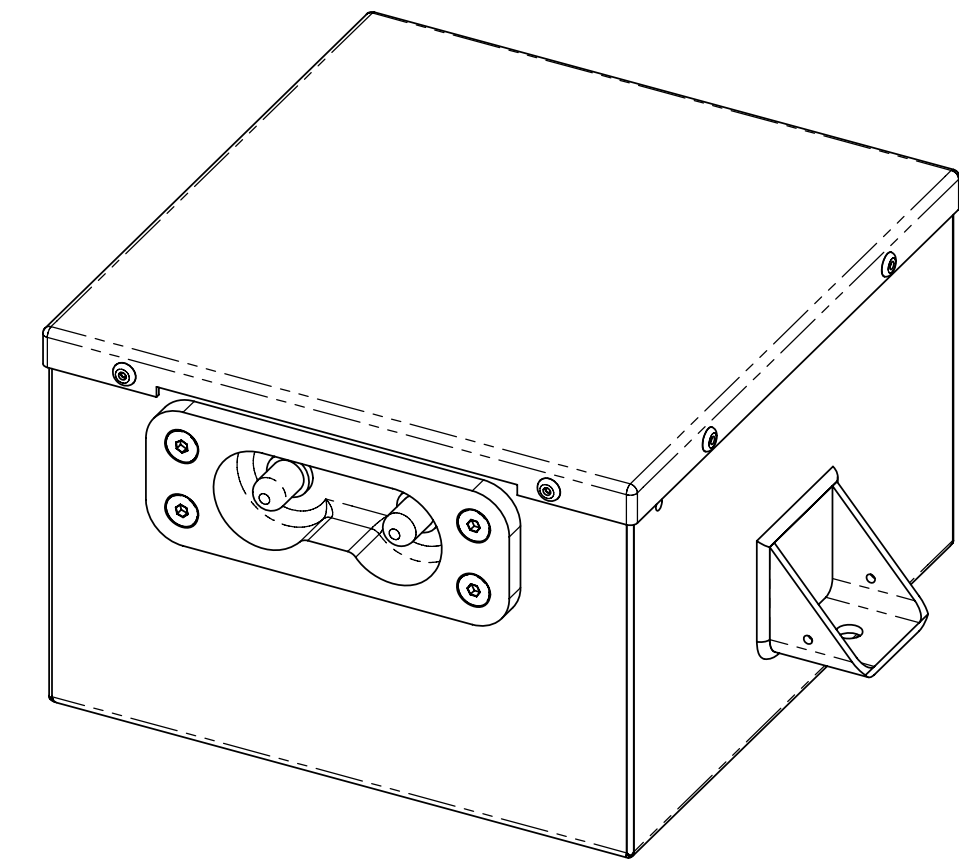
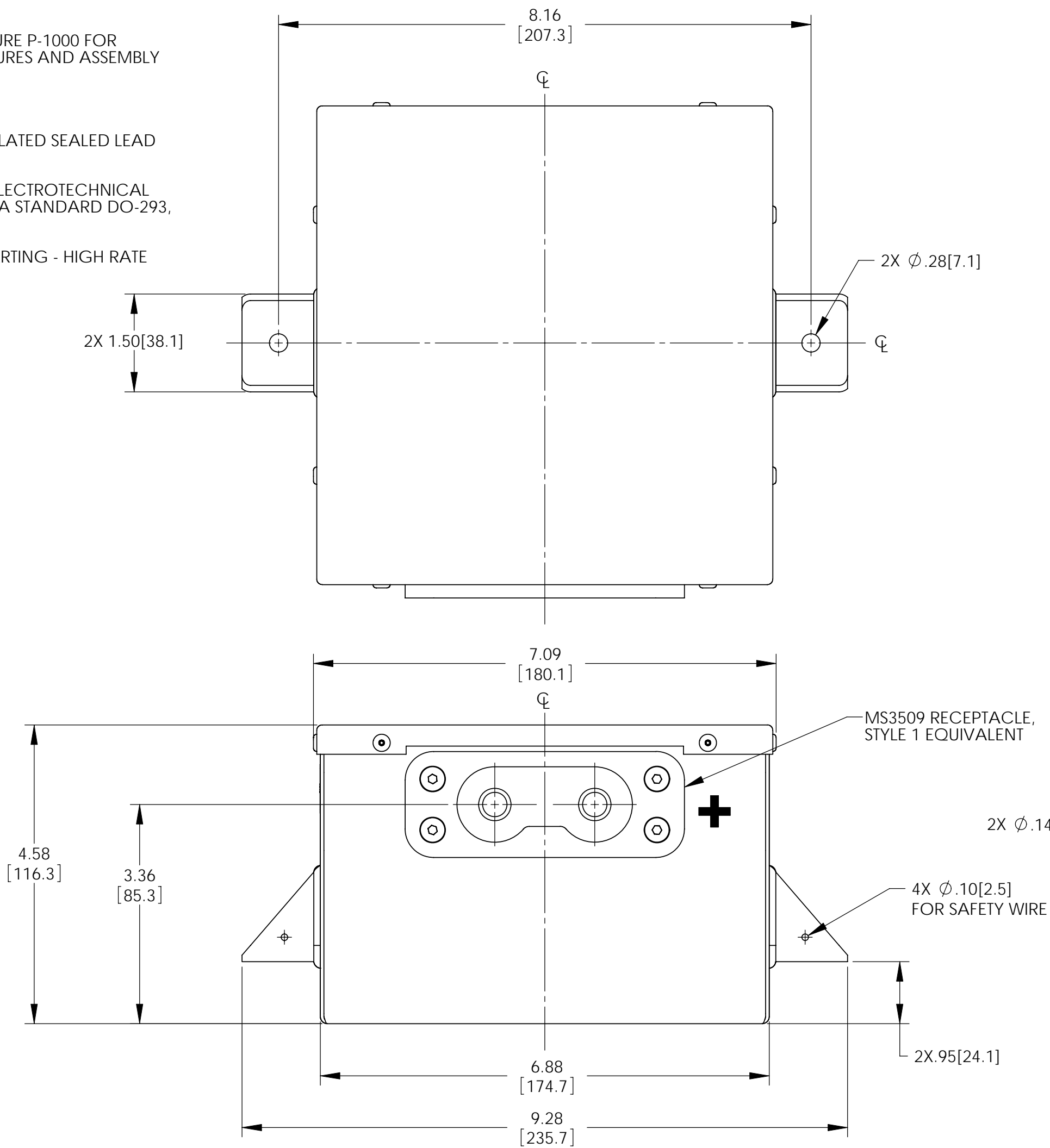


NOTES: UNLESS OTHERWISE SPECIFIED

- BATTERY CONFORMS TO THE DESIGN REQUIREMENTS OF 14 CFR PARTS 23.1353, 25.1353(c), 27.1353, 29.1353(c).
- MANUFACTURED AND INSPECTED IAW AS9100 QUALITY SYSTEM REQUIREMENTS.
- SEE DRAWING NO. CB-00381 AND PROCEDURE P-1000 FOR ASSEMBLY AND TEST INSTRUCTION. PROCEDURES AND ASSEMBLY DRAWINGS ARE FOR INTERNAL USE ONLY.
- DIMENSIONS ARE INCH[MILLIMETERS].
- ABBREVIATION USED IN TITLE IS: VALVE REGULATED SEALED LEAD ACID (VRSLA).
- BATTERIES ARE RATED IAW INTERNATIONAL ELECTROTECHNICAL COMMISSION STANDARD 60952-1, AND RTCA STANDARD DO-293, UNLESS OTHERWISE NOTED.
- THIS BATTERY IS NOT RATED FOR "ENGINE STARTING - HIGH RATE PERFORMANCE".

REVISIONS			
REV	DESCRIPTION	DATE	APPROVED



ISOMETRIC VIEW

PART NUMBER	RG-140		
MAXIMUM WEIGHT	14.6 LBS [6.6 KG]		
RATED CAPACITY, C ₁	7 AH		
POWER RATING	NOT RATED		
TEST TEMPERATURE	@23 °C (74 °F)	@ -18 °C (0 °F)	@ -30 °C (-22 °F)
CAPACITY, 7.0 A	7 AH	TBD AH	TBD AH
RAPID DISCHARGE, 70 A	NOT RATED	NOT RATED	NOT RATED

TBD = TO BE DETERMINED

ENVELOPE DRAWING

UNLESS OTHERWISE SPECIFIED DIMENSIONS ARE IN INCHES TOLERANCES ARE:		CONTRACT NO.		CONCORDE BATTERY CORPORATION 2009 SAN BERNARDINO RD, W. COVINA, CA 91790	
FRACTIONS ±1/32	DECIMALS .XX ±.06 .XXX ±.030	ANGLES ±1°	APPROVALS	DATE	TITLE
			DRAWN D. AYALA	1/26/10	BATTERY, VRSLA, 24 VOLT
			CHECKED AMIII	1/26/10	
			APPROVED JBT	1/26/10	SIZE C
			ISSUED JJ	1/26/10	CAGE CODE 63017
					DWG NO. RG-140
					SCALE NONE
					SHEET 1 OF 1