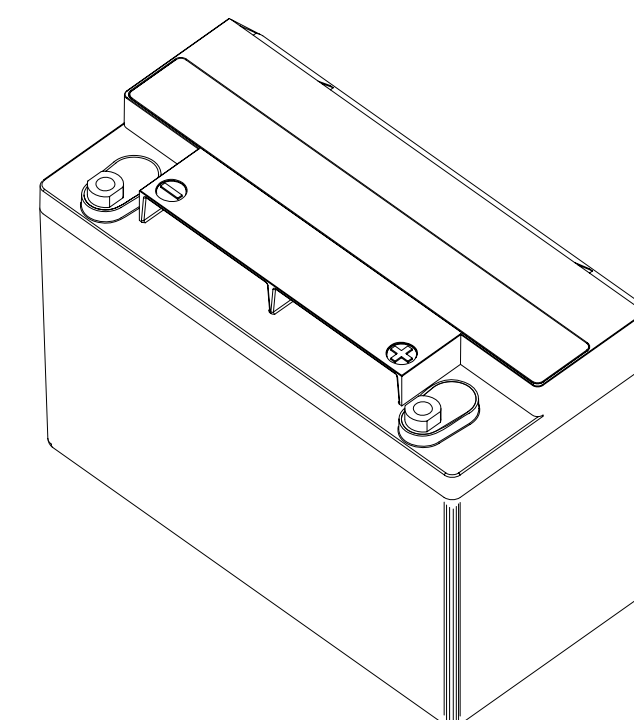
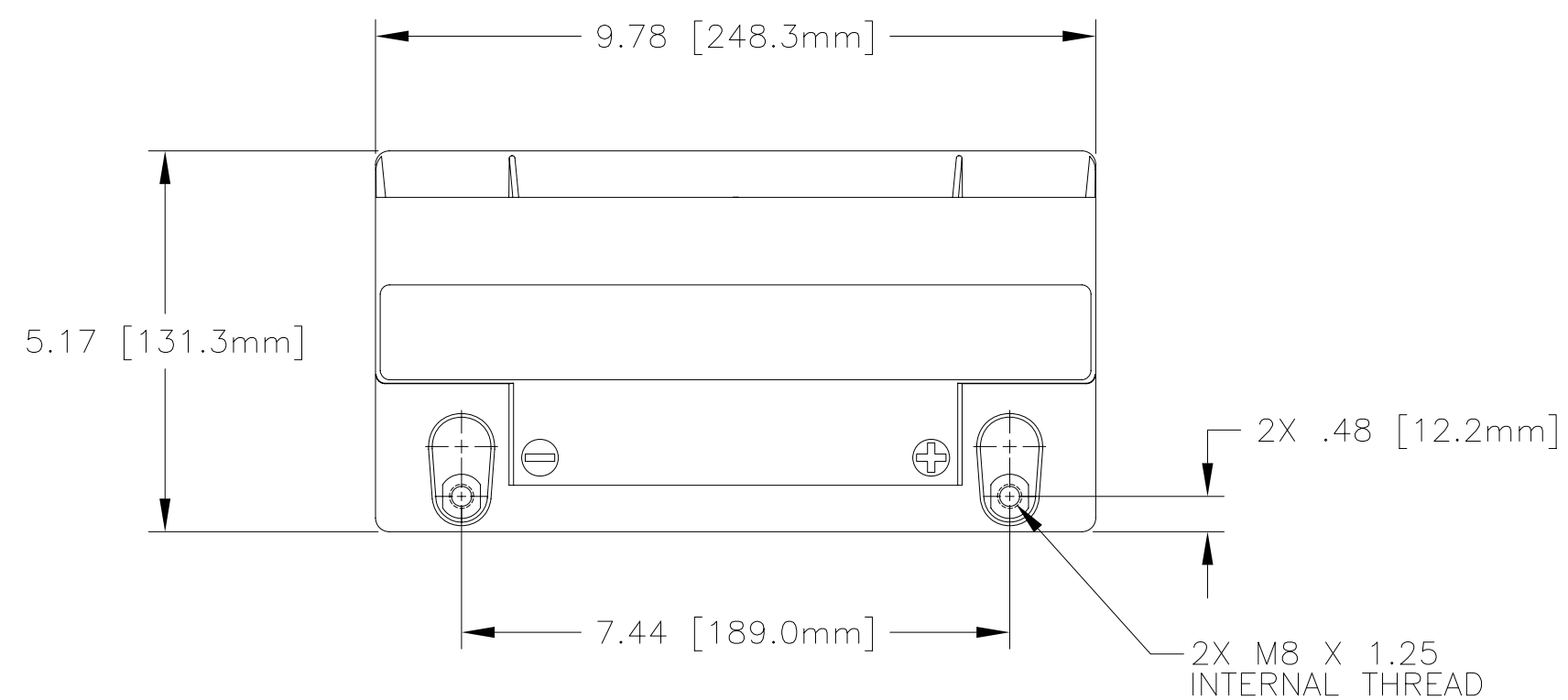


NOTES: UNLESS OTHERWISE SPECIFIED

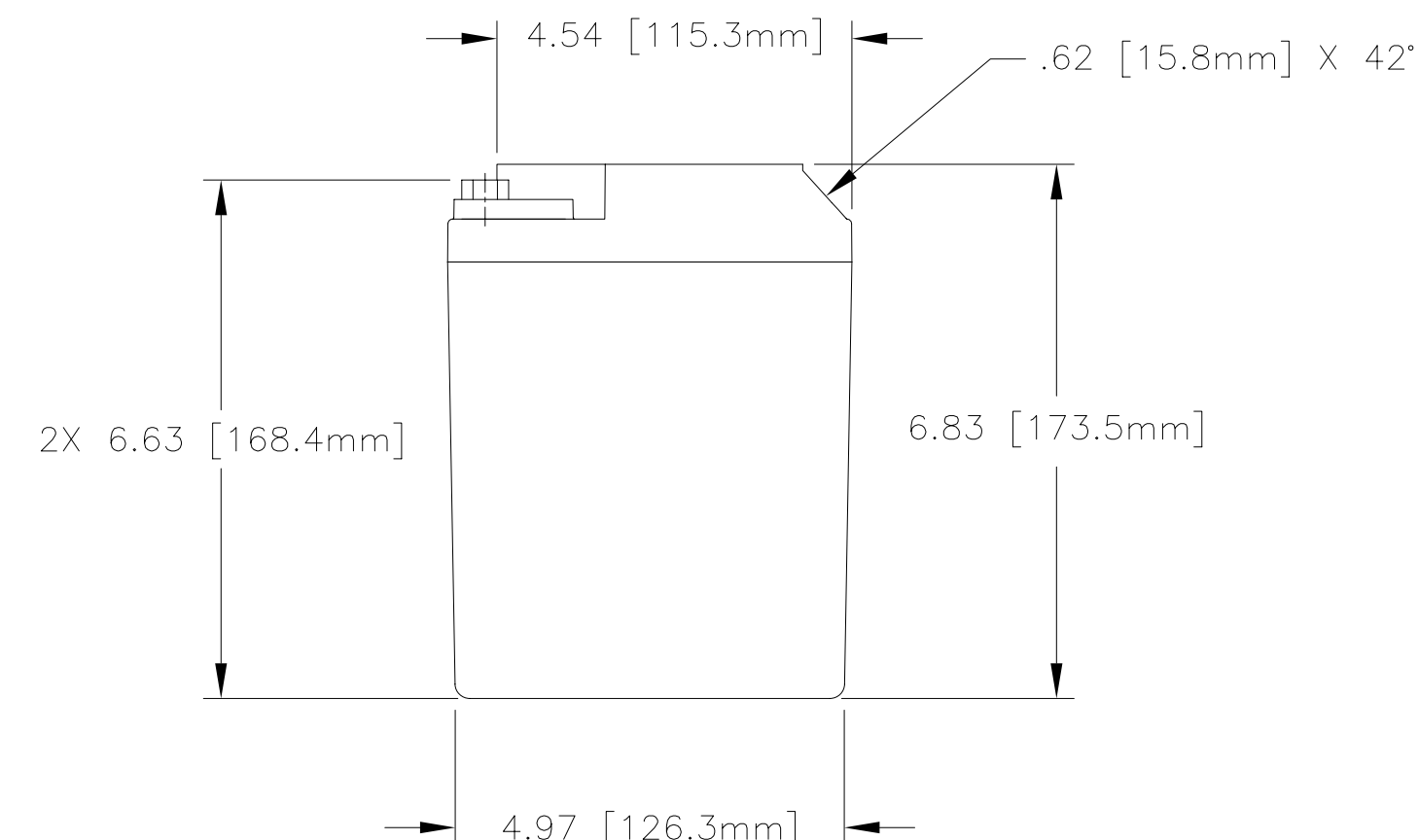
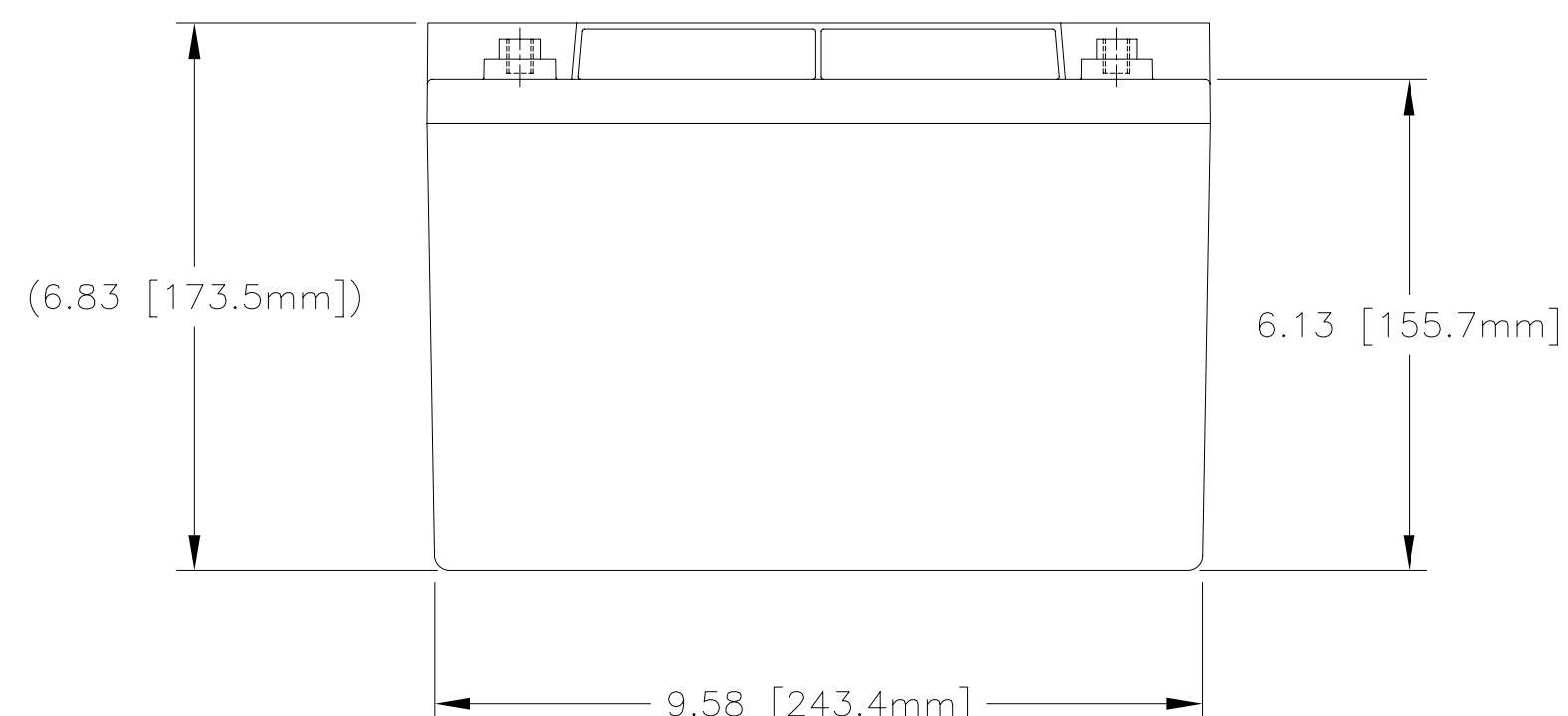
1. MANUFACTURED AND INSPECTED IAW AS9100 QUALITY SYSTEM REQUIREMENTS.
2. ABBREVIATION USED IN TITLE IS: VALVE REGULATED SEALED LEAD ACID (VRSLA).
3. SEE DRAWING NO. CB-00242 AND PROCEDURE P-1000 FOR ASSEMBLY AND TEST INSTRUCTION. PROCEDURES AND ASSEMBLY DRAWINGS ARE FOR INTERNAL USE ONLY.

4. BATTERIES ARE RATED IAW INTERNATIONAL ELECTROTECHNICAL COMMISSION STANDARD 60952-1 AND RTCA STANDARD DO-293, UNLESS OTHERWISE NOTED.
5. GENERAL AVIATION BATTERIES ARE NOT DESIGNED FOR REPETITIVE TURBINE ENGINE STARTING.

REVISIONS			
REV	DESCRIPTION	DATE	APPROVED
A	ADDED 42° CHAMFER TO COVER	1/8/99	JBT
B	REVISED CAPACITY RATES	11/17/99	JBT
C	REVISED POWER RATINGS AND NOTES	2/17/10	JBT



REFERENCE VIEW



ENVELOPE DRAWING

PART NUMBER	RG-35A	RG-35AXC
MAXIMUM WEIGHT	29.5 LBS [13.4 KG]	32 LBS [14.5 KG]
RATED CAPACITY, C ₁	29 AH	33 AH
POWER RATING AT 23°C	lpp 1000 A, lpr 800 A	lpp 1200 A, lpr 900 A
POWER RATING AT -18°C	lpp 675 A, lpr 575 A	lpp 800 A, lpr 700 A
POWER RATING AT -30°C	lpp 475 A, lpr 350 A	lpp 625 A, lpr 550 A

QTY REQD	CAGE CODE	PART OR IDENTIFYING NO.	NOMENCLATURE OR DESCRIPTION	MATERIAL SPECIFICATION	ITEM NO.
PARTS LIST					
UNLESS OTHERWISE SPECIFIED DIMENSIONS ARE IN INCHES TOLERANCES ARE:			CONCORDE BATTERY CORPORATION 2009 SAN BERNARDINO RD, W. COVINA, CA 91790		
FRACTIONS .XX ± .06		DECIMALS .XXX ± .060		ANGLES	
TREATMENT NONE			CONTRACT NO.		
FINISH NONE			APPROVALS		
SIMILAR TO			DRAWN A MISTRETTA		
ACT WT			CHECKED AMIII		
CALC WT			APPROVED JBT		
			ISSUED JJ		
			DATE 12/11/97		
			DATE 1/22/98		
			DATE 1/22/98		
			DATE 2/18/10		
TITLE BATTERY, VRSLA, 12 VOLT, RG-35A SERIES		SIZE C		CAGE CODE 63017	
DWG NO. RG-35A		REV C		SCALE 1=2.5	
SHEET 1 OF 1					