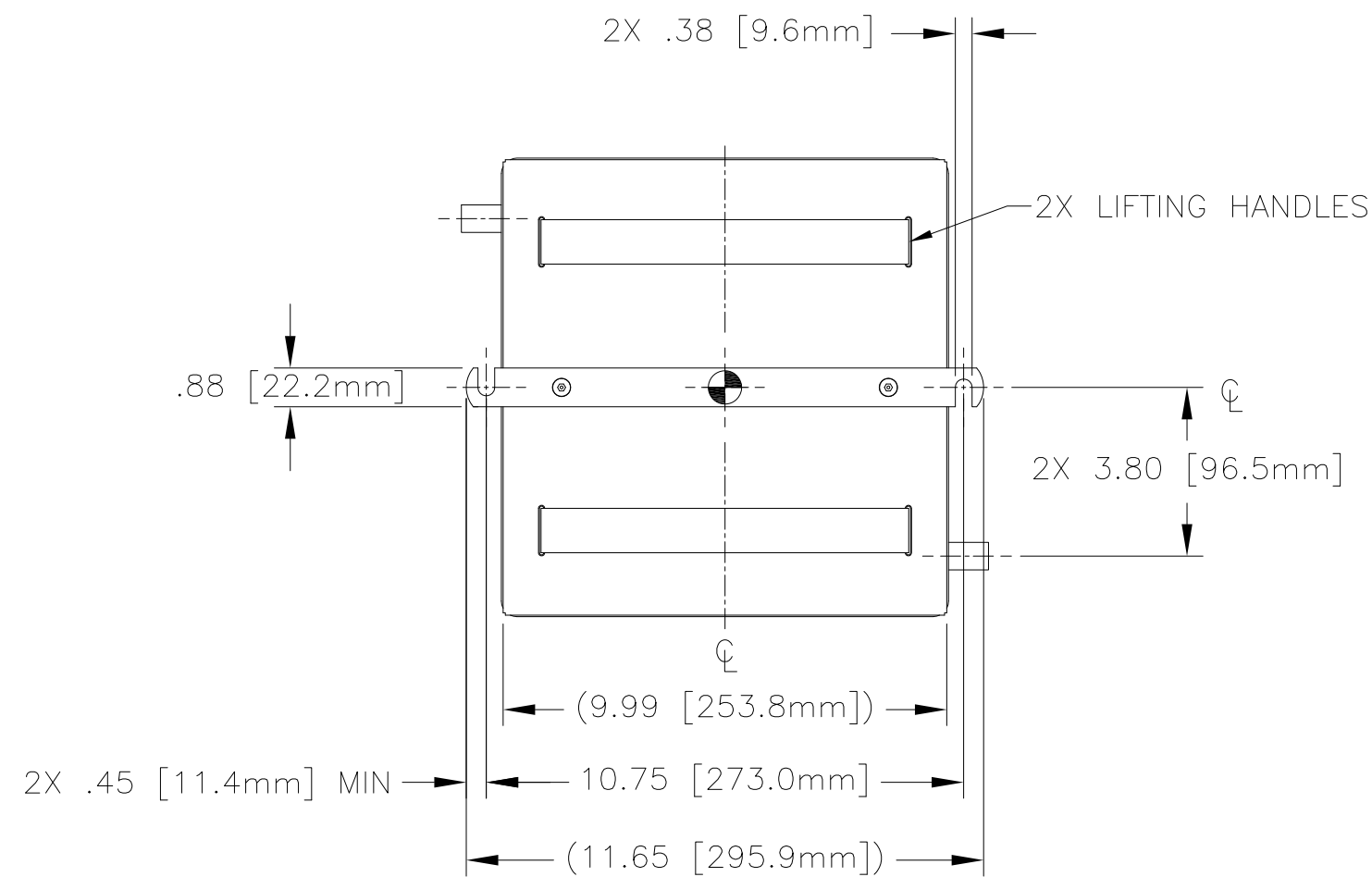


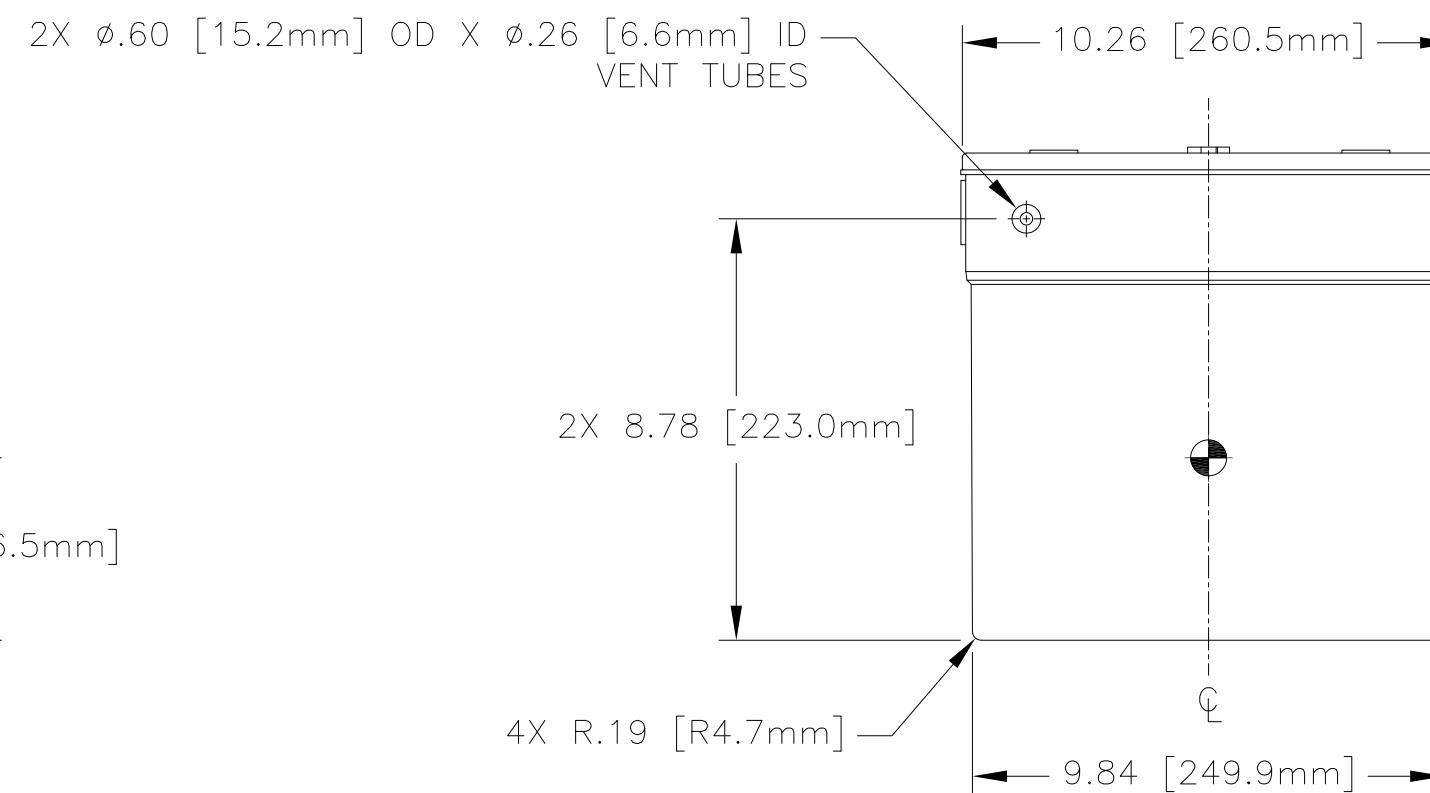
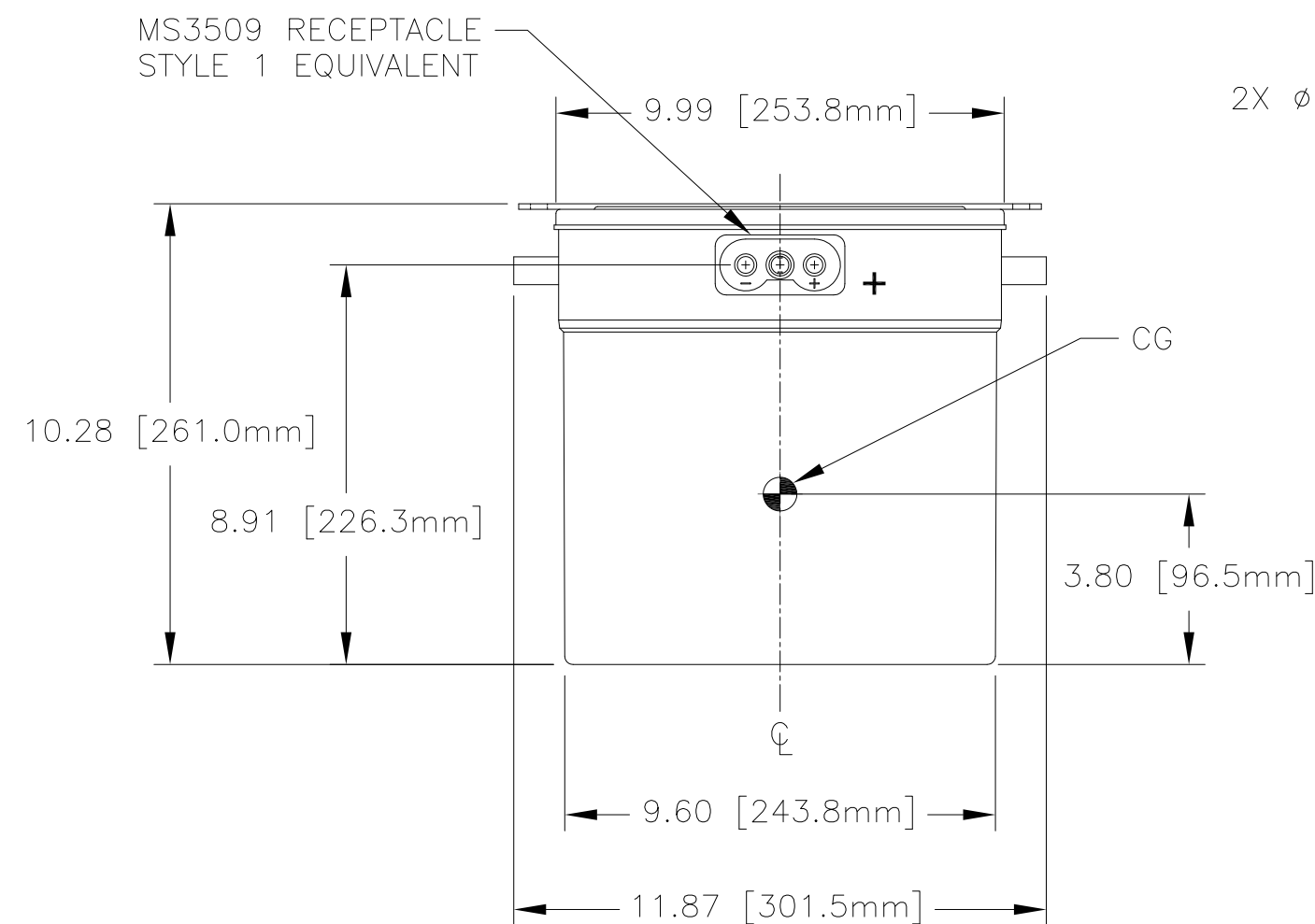
NOTES: UNLESS OTHERWISE SPECIFIED

1. MANUFACTURED AND INSPECTED IAW AS9100 QUALITY SYSTEM REQUIREMENTS.
2. ABBREVIATION USED IN TITLE IS: VALVE REGULATED SEALED LEAD ACID (VRSLA).
3. SEE DRAWING CB-00150 AND PROCEDURE P-1000 FOR ASSEMBLY AND TEST INSTRUCTION. PROCEDURES AND ASSEMBLY DRAWINGS ARE FOR INTERNAL USE ONLY.
4. BATTERIES ARE RATED IAW INTERNATIONAL ELECTROTECHNICAL COMMISSION STANDARD 60952-1 AND RTCA STANDARD D0-293, UNLESS OTHERWISE NOTED.
5. DIMENSIONS ARE INCH [MILLIMETER].

REVISIONS			
REV	DESCRIPTION	DATE	APPROVED
A	ADDED POWER RATINGS & CG, UPDATED NOTES	8/15/12	JBT
B	REVISED COVER, ADDED LIFTING HANDLES	5/8/14	JBT



PART NUMBER	RG-380E/46
MAXIMUM WEIGHT	86.0 LBS [39.0 KG]
RATED CAPACITY, C ₁	46 AH
POWER RATING AT 23°C	I _{pp} 1375 A, I _{pr} 1050 A
POWER RATING AT -18°C	I _{pp} 1075 A, I _{pr} 850 A
POWER RATING AT -30°C	I _{pp} 875 A, I _{pr} 675 A



ENVELOPE DRAWING

QTY REQD	CAGE CODE	PART OR IDENTIFYING NO.	NOMENCLATURE OR DESCRIPTION	MATERIAL SPECIFICATION	ITEM NO.
PARTS LIST					
UNLESS OTHERWISE SPECIFIED DIMENSIONS ARE IN INCHES TOLERANCES ARE:			CONCORDE BATTERY CORPORATION 2009 SAN BERNARDINO RD, W. COVINA, CA 91790		
FRACTIONS	DECIMALS	ANGLES	APPROVALS	DATE	TITLE
$\pm 1/32$.XX \pm .06 $\pm 1'$		DRAWN D. AYALA	4/24/08	BATTERY, VRSLA, 24 VOLT, RG-380E/46
	.XXX \pm .030		CHECKED AMIII	5/13/08	
TREATMENT	NONE		APPROVED JBT	5/14/08	
FINISH	NONE		ISSUED BJ	5/9/14	
SIMILAR TO	ACT WT	CALC WT			
			SCALE 1/4	SHEET 1 OF 1	