

NOTES: UNLESS OTHERWISE SPECIFIED

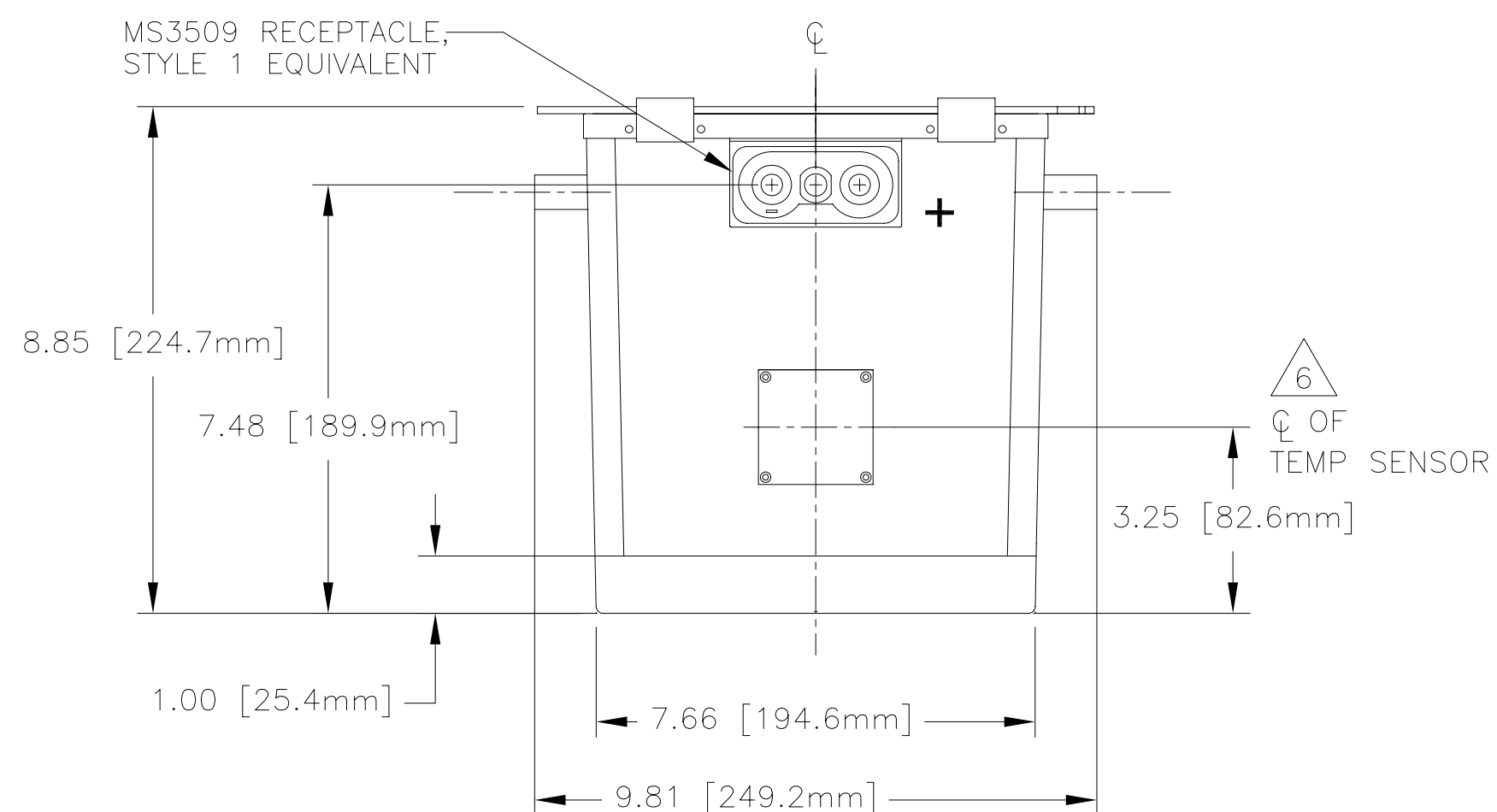
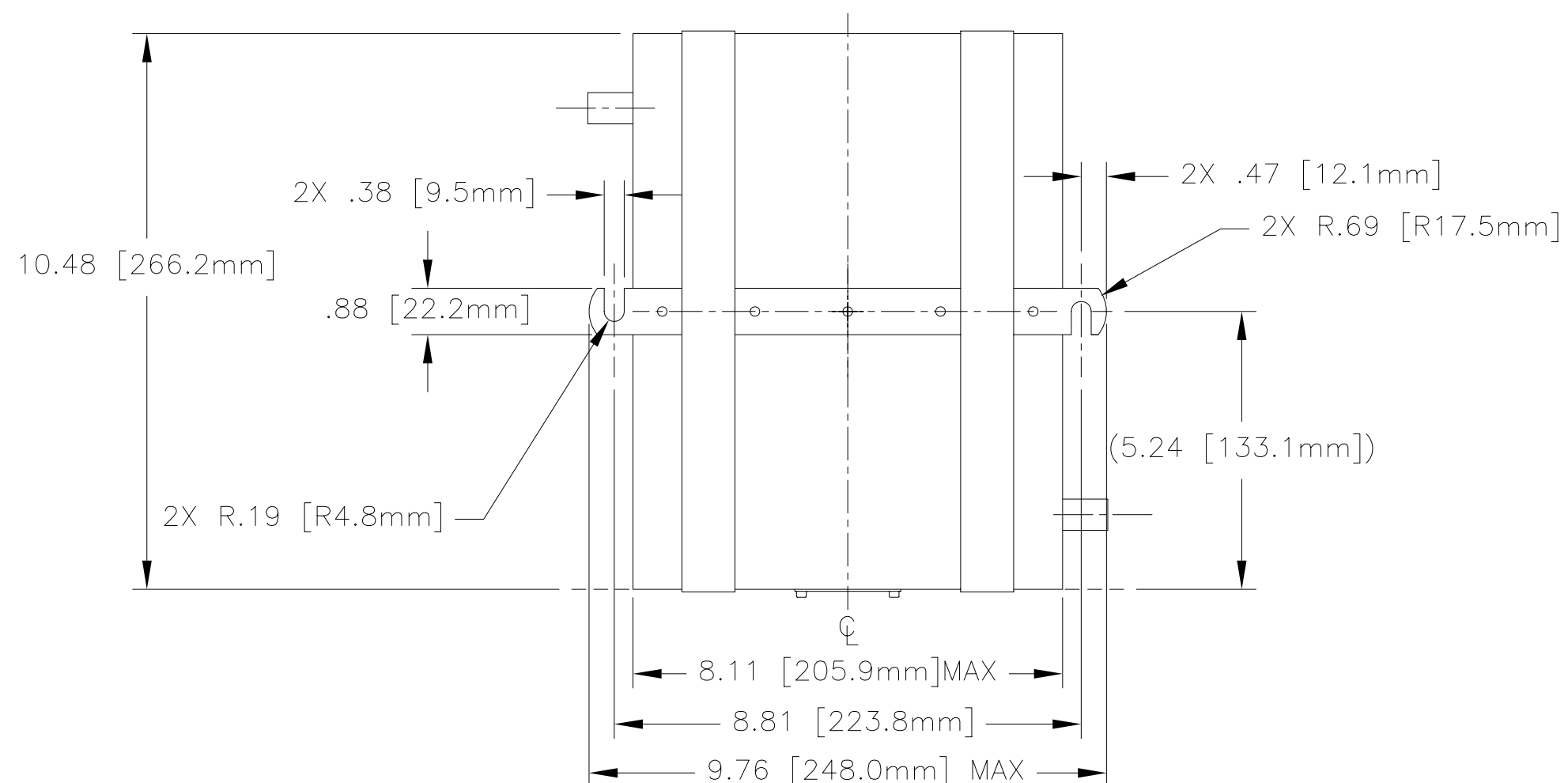
1. MANUFACTURED AND INSPECTED IAW AS9100 QUALITY SYSTEM REQUIREMENTS.
2. ABBREVIATION USED IN TITLE IS: VALVE REGULATED SEALED LEAD ACID (VRSLA).
3. SEE DRAWING NO. CB-00261 AND PROCEDURE P-1000 FOR ASSEMBLY AND TEST INSTRUCTION. PROCEDURES AND ASSEMBLY DRAWINGS ARE FOR INTERNAL USE ONLY.

4. BATTERIES ARE RATED IAW INTERNATIONAL ELECTROTECHNICAL COMMISSION STANDARD 60952-1 AND RTCA STANDARD DO-293, UNLESS OTHERWISE NOTED.

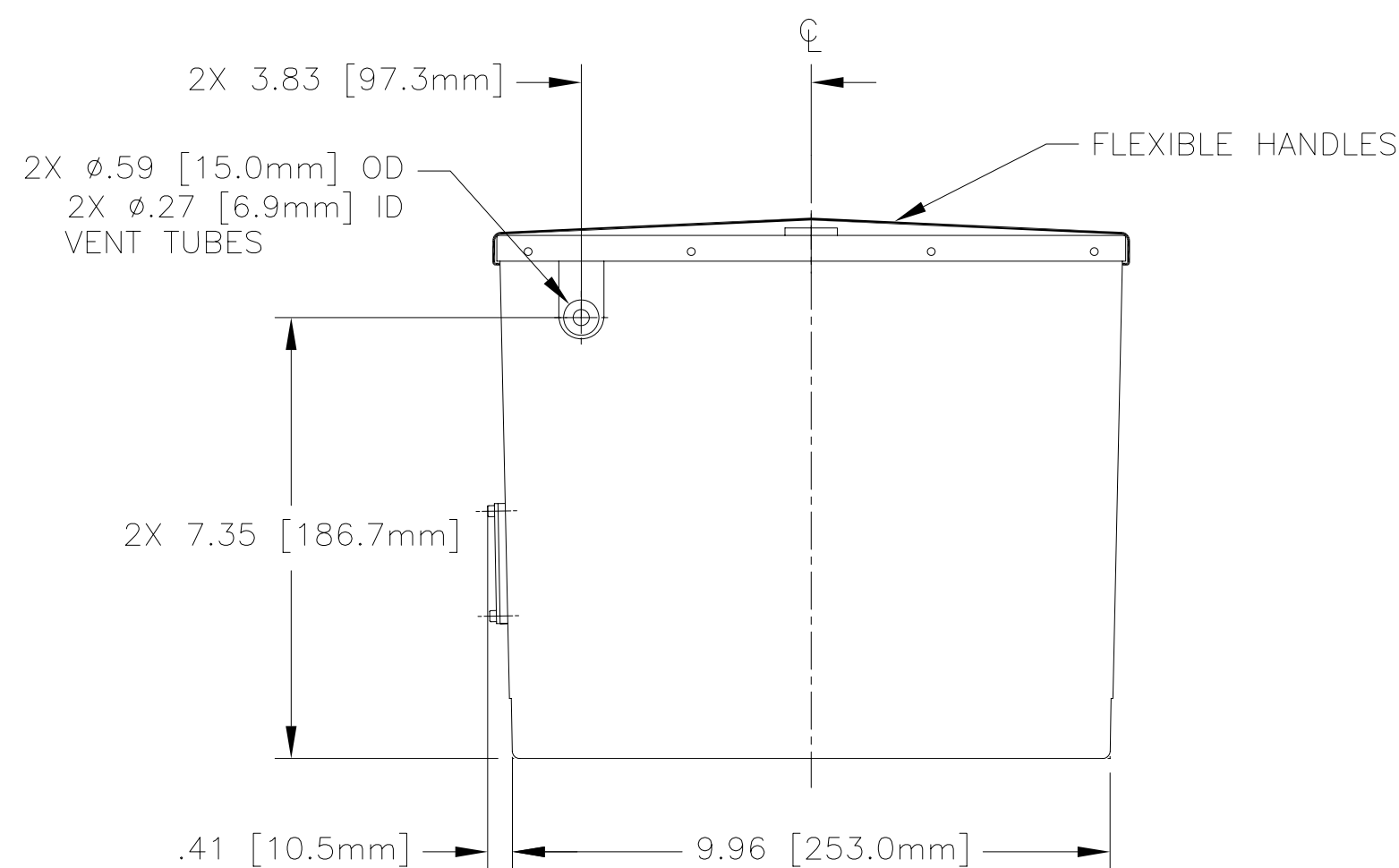
5 "L" SUFFIX DENOTES A FIRE RESISTANT EXTERNAL CONTAINER CONSTRUCTED OF 5052 ALUMINUM ALLOY.  
 "LS" SUFFIX DENOTES A FIRE PROOF EXTERNAL CONTAINER CONSTRUCTED OF STAINLESS STEEL.

6 BATTERY MAY BE FITTED WITH TS-XX SERIES TEMP SENSOR.

| REVISIONS |             |      |          |
|-----------|-------------|------|----------|
| REV       | DESCRIPTION | DATE | APPROVED |



|                                |   |                                               |                  |
|--------------------------------|---|-----------------------------------------------|------------------|
| PART NUMBER                    | 5 | RG-390E/25L                                   | RG-390E/25LS     |
| MAXIMUM WEIGHT                 |   | 55 LBS [24.9 KG]                              | 57 LBS [25.9 KG] |
| RATED CAPACITY, C <sub>1</sub> |   | 25 AH                                         |                  |
| POWER RATING AT 23°C           |   | I <sub>pp</sub> 1000 A, I <sub>pr</sub> 650 A |                  |
| POWER RATING AT -18°C          |   | I <sub>pp</sub> 750 A, I <sub>pr</sub> 600 A  |                  |
| POWER RATING AT -30°C          |   | I <sub>pp</sub> 550 A, I <sub>pr</sub> 450 A  |                  |



ENVELOPE DRAWING

| QTY REQD                                                            | CAGE CODE    | PART OR IDENTIFYING NO. | NOMENCLATURE OR DESCRIPTION                                                 | MATERIAL SPECIFICATION | ITEM NO.                                         |
|---------------------------------------------------------------------|--------------|-------------------------|-----------------------------------------------------------------------------|------------------------|--------------------------------------------------|
| PARTS LIST                                                          |              |                         |                                                                             |                        |                                                  |
| UNLESS OTHERWISE SPECIFIED DIMENSIONS ARE IN INCHES TOLERANCES ARE: |              |                         | CONCORDE BATTERY CORPORATION<br>2009 SAN BERNARDINO RD, W. COVINA, CA 91790 |                        |                                                  |
| FRACTIONS                                                           | DECIMALS     | ANGLES                  | APPROVALS                                                                   | DATE                   | TITLE                                            |
| ±1/32                                                               | .XX ±.06 ±1' |                         | DRAWN D. AYALA                                                              | 1/24/11                | BATTERY, VRSLA, 24 VOLT<br>RG-390E/25L(S) SERIES |
|                                                                     | .XXX ±.030   |                         | CHECKED AMIII                                                               | 1/28/11                | SIZE C                                           |
| TREATMENT                                                           | NONE         |                         | APPROVED JBT                                                                | 1/31/11                | CAGE CODE 63017                                  |
| FINISH                                                              | NONE         |                         | ISSUED JJ                                                                   | 2/5/11                 | DWG NO. RG-390E/25L                              |
| SIMILAR TO                                                          | ACT WT       | CALC WT                 |                                                                             |                        | SCALE NONE                                       |
|                                                                     |              |                         |                                                                             |                        | SHEET 1 OF 1                                     |