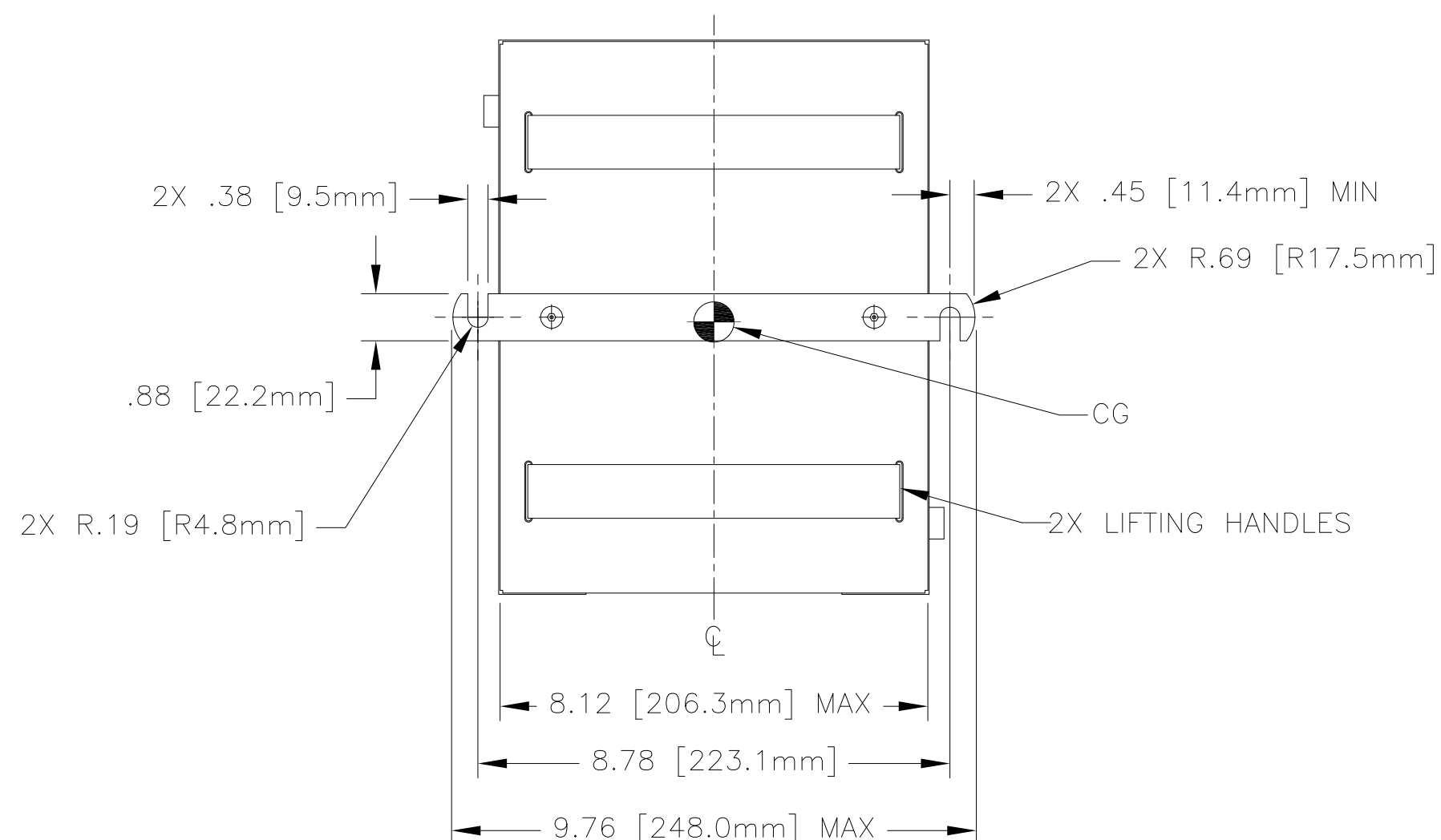


NOTES: UNLESS OTHERWISE SPECIFIED

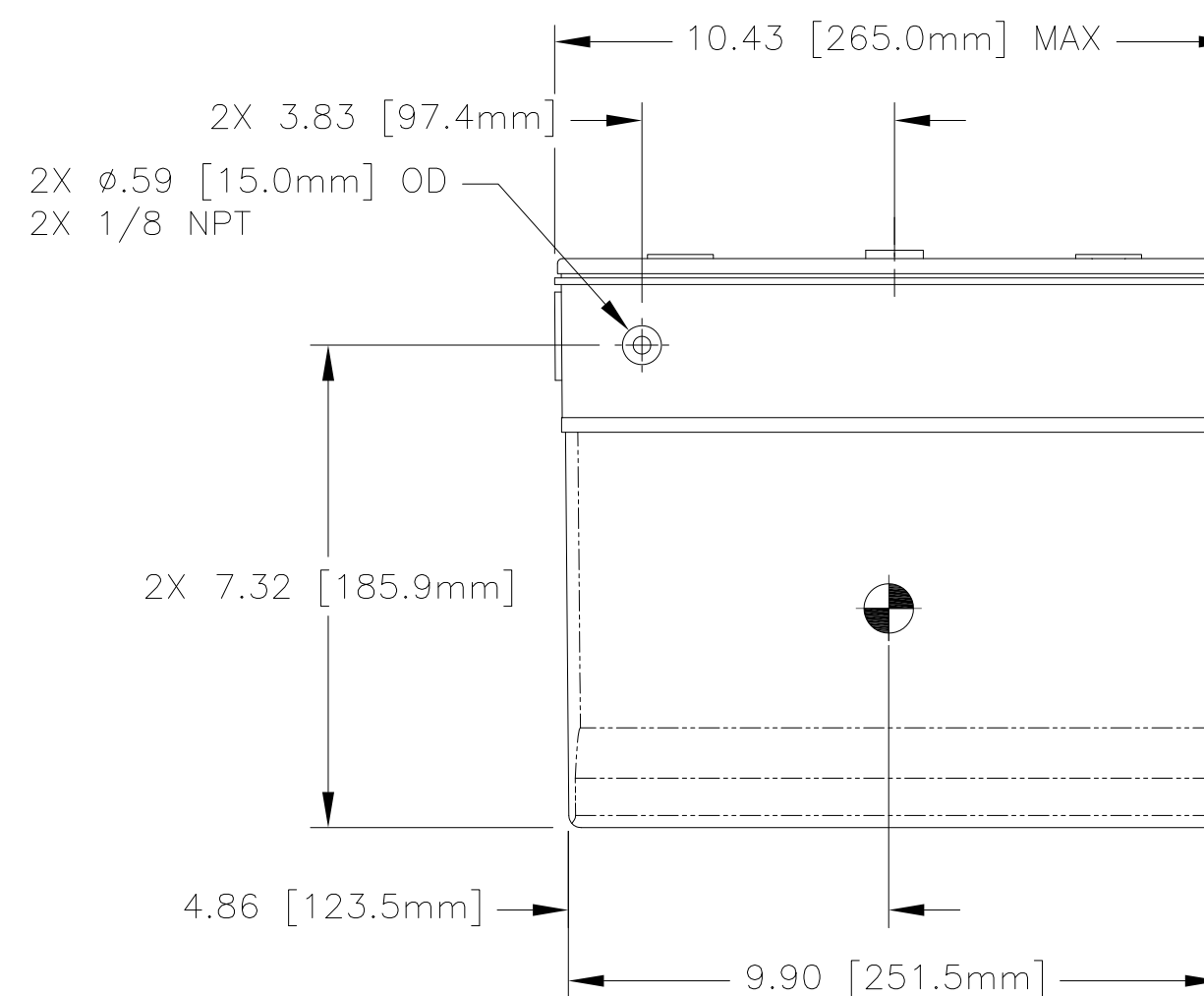
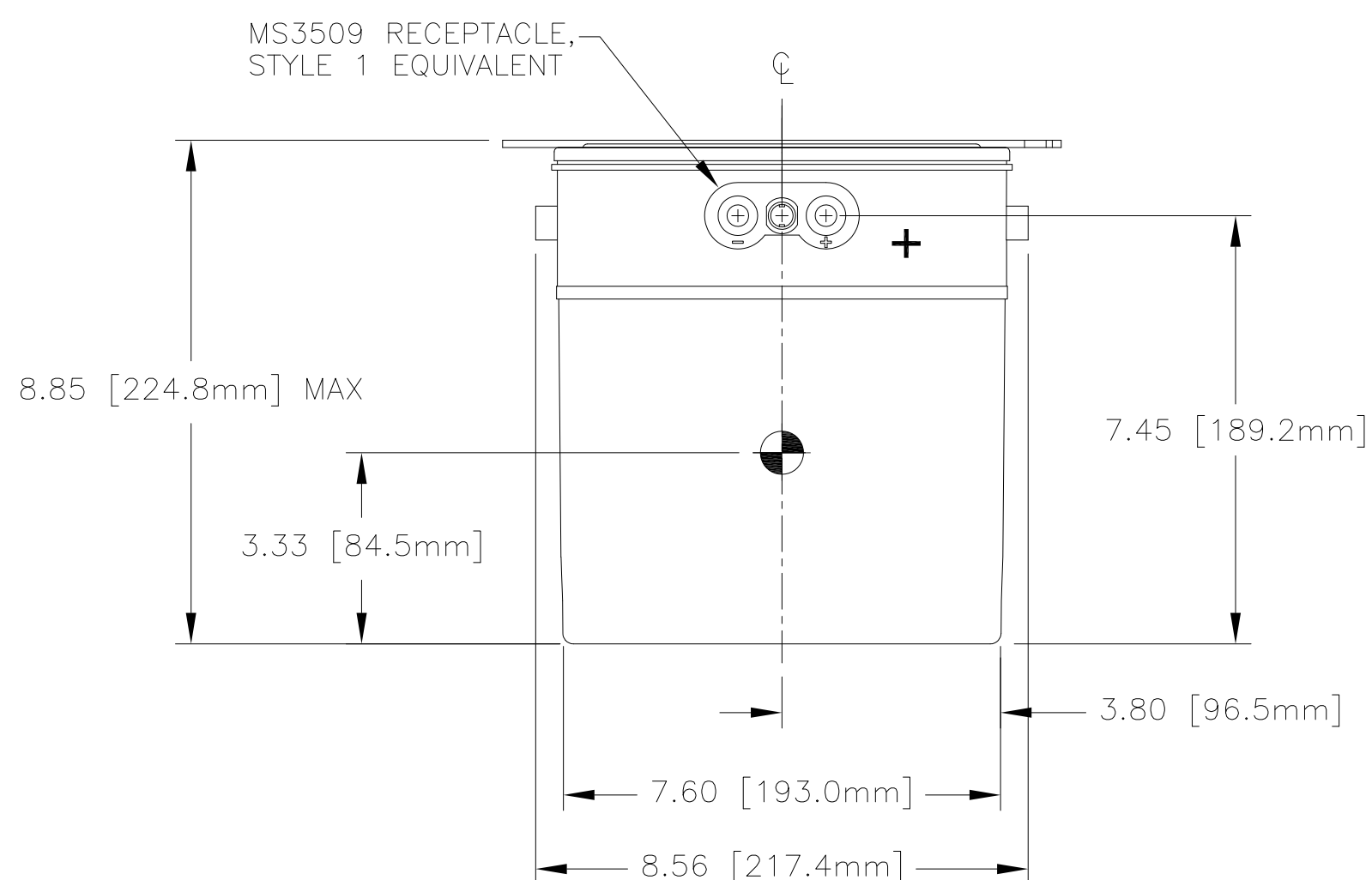
1. MANUFACTURED AND INSPECTED IAW AS9100 QUALITY SYSTEM REQUIREMENTS.
2. ABBREVIATION USED IN TITLE IS: VALVE REGULATED SEALED LEAD ACID (VRSLA).
3. SEE DRAWING NO. CB-00331 AND PROCEDURE P-1000 FOR ASSEMBLY AND TEST INSTRUCTION. PRODUCTION INSTRUCTIONS AND ASSEMBLY DRAWINGS ARE FOR INTERNAL USE ONLY.

4. BATTERIES ARE RATED IAW INTERNATIONAL ELECTROTECHNICAL COMMISSION STANDARD 60952-1 AND RTCA STANDARD DO-293, UNLESS OTHERWISE NOTED.

REVISIONS			
REV	DESCRIPTION	DATE	APPROVED
A	REVISED COVER, ADDED LIFTING HANDLES	5/8/14	JBT



PART NUMBER	RG-390E/25S
MAXIMUM WEIGHT	53 LBS [24.0 KG]
RATED CAPACITY, C ₁	25 AH
POWER RATING AT 23°C	I _{pp} 1000 A, I _{pr} 650 A
POWER RATING AT -18°C	I _{pp} 750 A, I _{pr} 600 A
POWER RATING AT -30°C	I _{pp} 550 A, I _{pr} 450 A



ENVELOPE DRAWING

QTY REQD	CAGE CODE	PART OR IDENTIFYING NO.	NOMENCLATURE OR DESCRIPTION	MATERIAL SPECIFICATION	ITEM NO.
PARTS LIST					
UNLESS OTHERWISE SPECIFIED DIMENSIONS ARE IN INCHES TOLERANCES ARE:			CONCORDE BATTERY CORPORATION 2009 SAN BERNARDINO RD, W. COVINA, CA 91790		
FRACTIONS	DECIMALS	ANGLES	APPROVALS	DATE	TITLE
± 1/32	.XX ± .06 ± 1'		DRAWN D. AYALA	1/24/11	BATTERY, VRSLA, 24 VOLT
	.XXX ± .030		CHECKED AMIII	1/28/11	
TREATMENT	NONE		APPROVED JBT	1/31/11	SIZE C
FINISH	NONE		ISSUED BJ	5/9/14	CAGE CODE 63017
SIMILAR TO	ACT WT	CALC WT			DWG NO. RG-390E/25S
					REV A
					SCALE NONE
					SHEET 1 OF 1