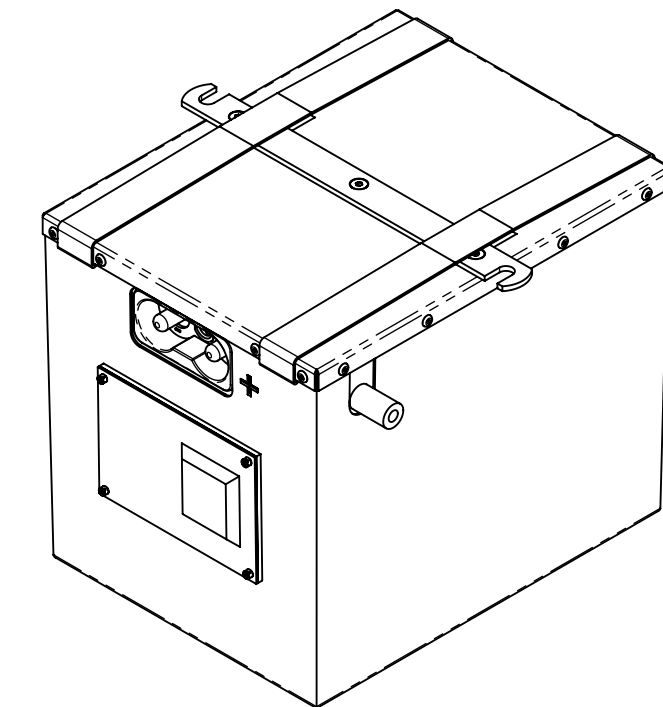
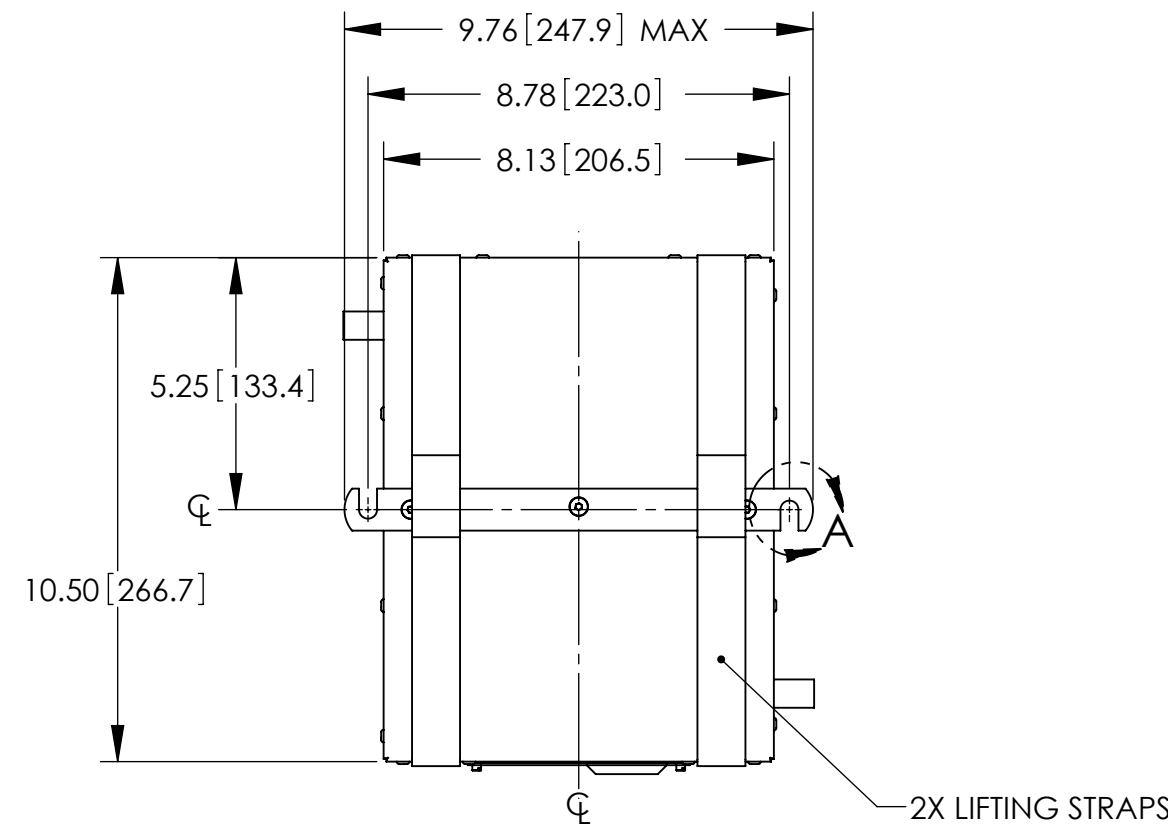


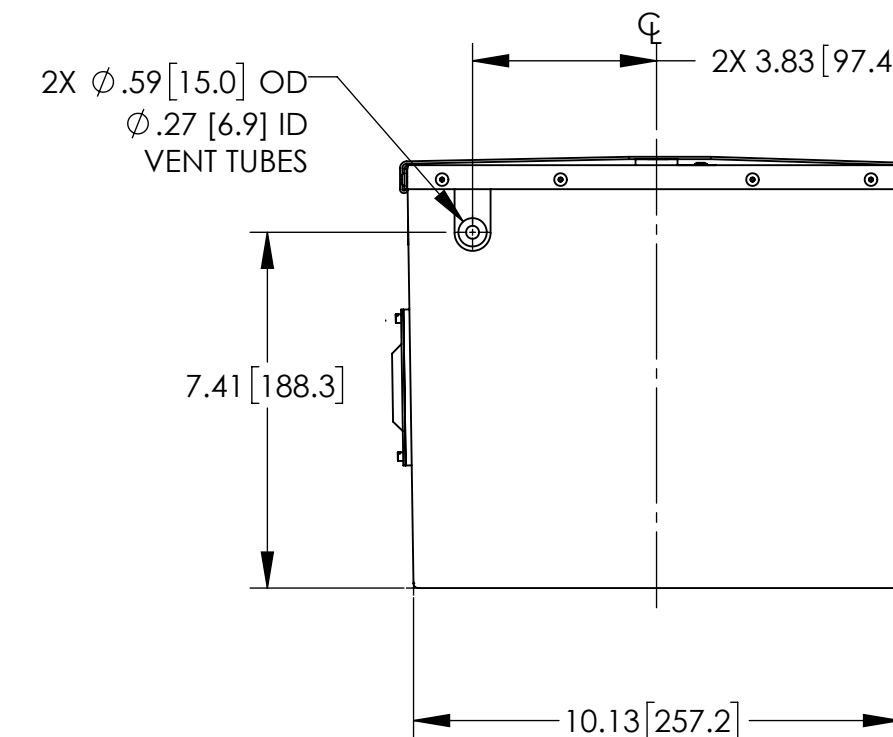
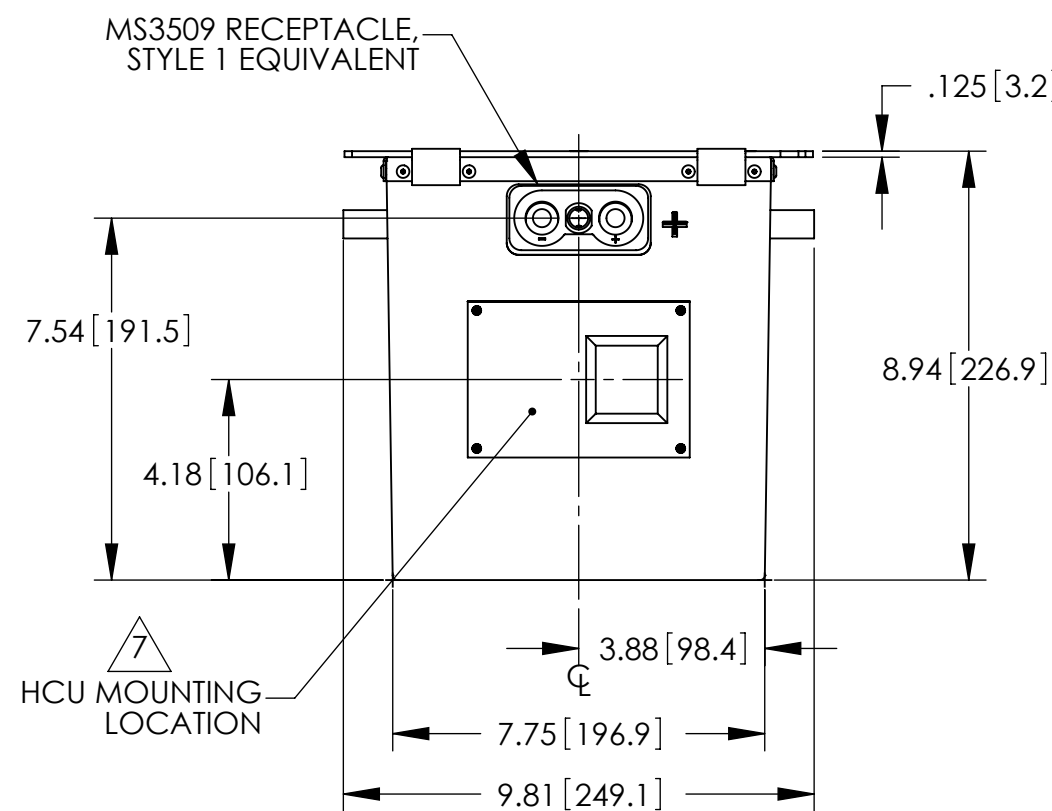
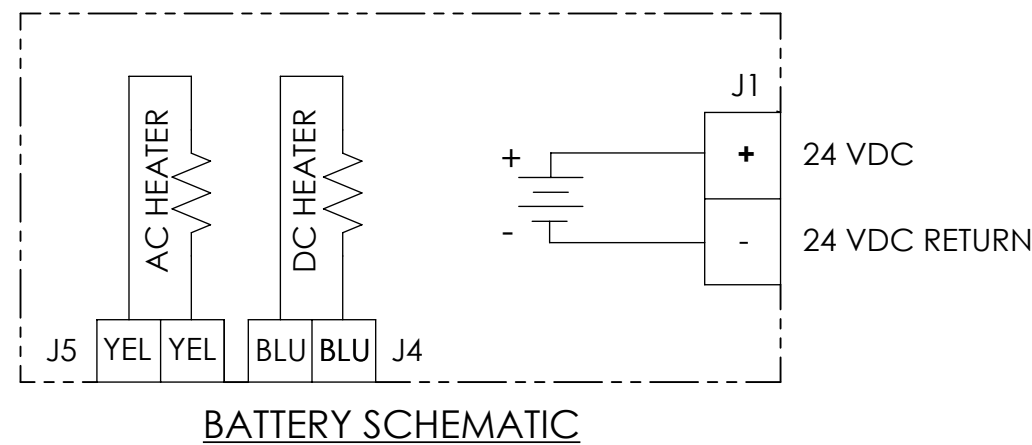
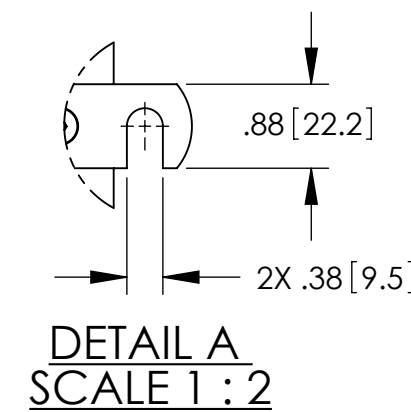
NOTES: UNLESS OTHERWISE SPECIFIED

1. MANUFACTURED AND INSPECTED IAW AS9100 QUALITY SYSTEM REQUIREMENTS.
2. ABBREVIATION USED IN TITLE IS: VALVE REGULATED SEALED LEAD ACID (VRSLA).
3. SEE DRAWING NO. CB-00342 AND PROCEDURE P-1000 FOR ASSEMBLY AND TEST INSTRUCTION. PROCEDURES AND ASSEMBLY DRAWINGS ARE FOR INTERNAL USE ONLY.
4. BATTERIES ARE RATED IAW INTERNATIONAL ELECTROTECHNICAL COMMISSION STANDARD 60952-1 AND RTCA STANDARD DO-293, UNLESS OTHERWISE NOTED.
5. DIMENSIONS ARE INCH [MILLIMETER].
6. "LH" SUFFIX DENOTES A "FIRE RESISTANT" EXTERNAL CONTAINER CONSTRUCTED OF 5052 ALUMINUM ALLOY.
"LSH" SUFFIX DENOTES A "FIRE PROOF" EXTERNAL CONTAINER CONSTRUCTED OF STAINLESS STEEL.
7. HEATER CONTROL UNIT (HCU) IS REQUIRED TO CONSTITUTE A COMPLETE BATTERY ASSEMBLY. REFER TO CONCORDE'S WEBSITE FOR AVAILABLE HCU'S. ONLY HCU'S SUPPLIED BY CONCORDE ARE PERMITTED.
8. CAUTION: DO NOT POWER AC AND DC HEATERS SIMULTANEOUSLY
9. REFER TO DRAWING 5-0432 FOR ENVELOPE DRAWING WITH HCU INSTALLED.

| REVISIONS | | | |
|-----------|---------------------------------|---------|----------|
| REV | DESCRIPTION | DATE | APPROVED |
| A | REVISED AND REDRAWN WAS AUTOCAD | 6/14/11 | JBT |
| B | UPDATED HEATER INPUT | 2/10/17 | PH |



ISOMETRIC VIEW



| PART NUMBER | RG-390E/LH | RG-390E/LSH |
|--------------------------------|-----------------------|------------------|
| MAXIMUM WEIGHT | 62 LBS [28.1 KG] | 64 LBS [29.0 KG] |
| RATED CAPACITY, C ₁ | 28 AH | |
| POWER RATING AT 23°C | Ipp 1350 A, Ipr 950 A | |
| POWER RATING AT -18°C | Ipp 1025 A, Ipr 800 A | |
| POWER RATING AT -30°C | Ipp 800 A, Ipr 600 A | |
| INTERNAL DC HEATER | 7.08A @ 28.25 VDC | |
| INTERNAL AC HEATER | 1.74A @ 115 VAC | |

ENVELOPE DRAWING

| UNLESS OTHERWISE SPECIFIED DIMENSIONS ARE IN INCHES TOLERANCES ARE: | | | CONTRACT NO. | | CONCORDE BATTERY CORPORATION 2009 SAN BERNARDINO RD, W. COVINA, CA 91790 | | |
|---|------------------------|---------------|--------------|---------|---|------------|--------|
| FRACTIONS | DECIMALS | ANGLES | APPROVALS | DATE | TITLE | | |
| ±1/32 | .XX ±.06 .XXX ±.030 | ±1° | DRAWN JBT | 6/28/06 | BATTERY, VRSLA, 24 VOLT, RG-390E/L(S)H | | |
| TREATMENT | NONE | CHECKED AMIII | 6/29/06 | SIZE | CAGE CODE | DWG NO. | REV |
| FINISH | NONE | APPROVED JBT | 6/29/06 | C | 63017 | RG-390E/LH | B |
| SIMILAR TO | CALC WT | ISSUED JG | 2/13/17 | SCALE | 1:4 | SHEET | 1 OF 1 |