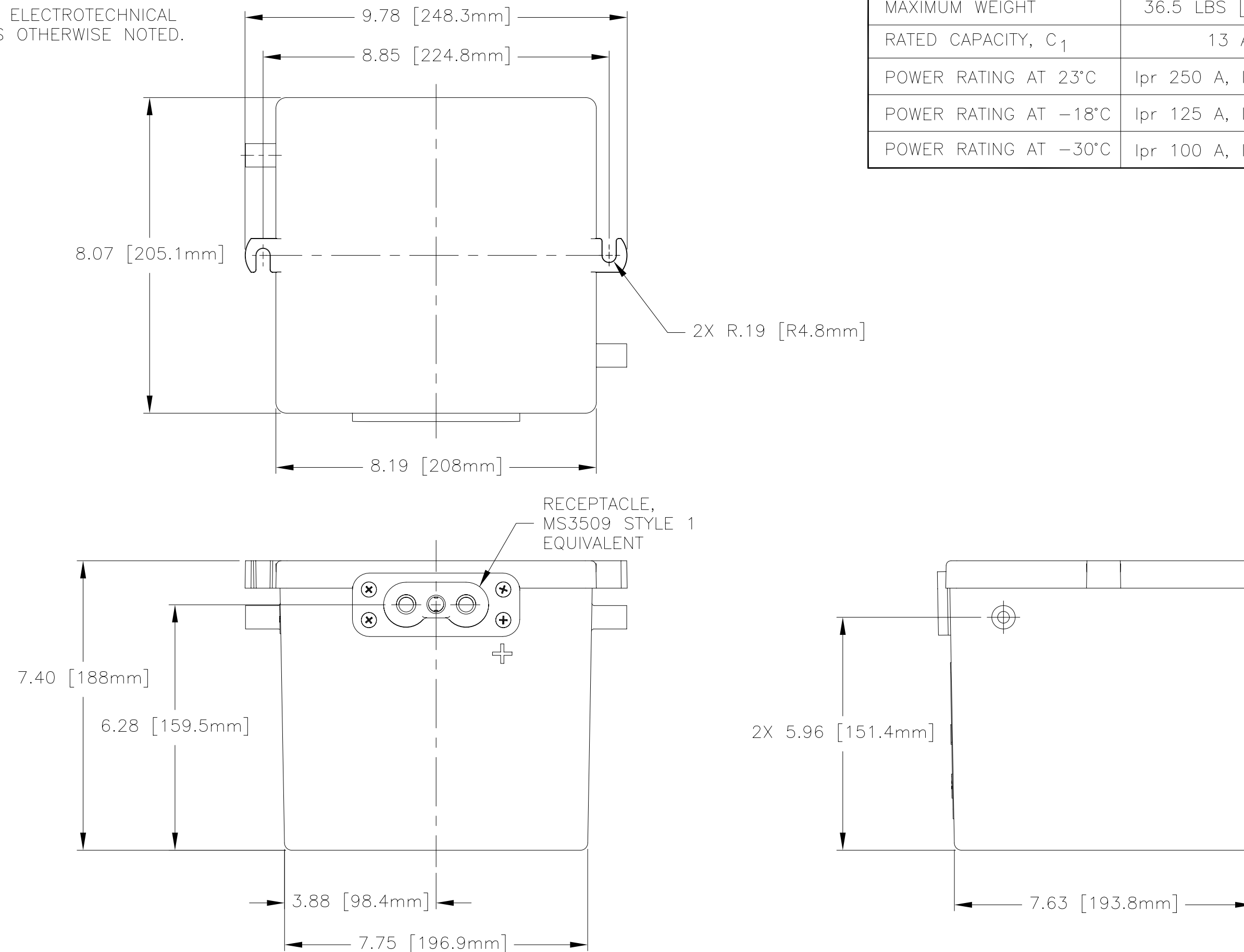


NOTES: UNLESS OTHERWISE SPECIFIED

REVISIONS			
REV	DESCRIPTION	DATE	APPROVED

- BATTERY CONFORMS TO THE DESIGN REQUIREMENTS OF 14 CFR PARTS 23.1353, 25.1353(c), 27.1353, 29.1353(c).
- INSPECT PER FAR 21.303(h) QUALITY SYSTEM.
- ABBREVIATION USED IN TITLE IS: VALVE REGULATED SEALED LEAD ACID (VRSLA).
- SEE DRAWING NO. CB-00163 AND PROCEDURE P-1000 FOR ASSEMBLY AND TEST INSTRUCTION. PROCEDURES AND ASSEMBLY DRAWINGS ARE FOR INTERNAL USE ONLY.
- BATTERIES ARE RATED IAW INTERNATIONAL ELECTROTECHNICAL COMMISSION STANDARD 60952-1, UNLESS OTHERWISE NOTED.

PART NUMBER	RG-400E/13
MAXIMUM WEIGHT	36.5 LBS [16.6 KG]
RATED CAPACITY, C ₁	13 AH
POWER RATING AT 23°C	I _{pr} 250 A, I _{pp} 950 A
POWER RATING AT -18°C	I _{pr} 125 A, I _{pp} 615 A
POWER RATING AT -30°C	I _{pr} 100 A, I _{pp} 400 A



ENVELOPE DRAWING

QTY REQD	CAGE CODE	PART OR IDENTIFYING NO.	NOMENCLATURE OR DESCRIPTION	MATERIAL SPECIFICATION	ITEM NO.
PARTS LIST					
UNLESS OTHERWISE SPECIFIED DIMENSIONS ARE IN INCHES TOLERANCES ARE:			CONCORDE BATTERY CORPORATION 2009 SAN BERNARDINO RD, W. COVINA, CA 91790		
FRACTIONS	DECIMALS	ANGLES	APPROVALS	DATE	TITLE
± 1/32	.XX ± .06	± 1°	DRAWN D. AYALA	10/25/07	BATTERY, VRSLA, 24 VOLT, RG-400E/13
	.XXX ± .030		CHECKED AMIII	10/25/07	SIZE C CAGE CODE 63017 DWG NO. RG-400E/13 REV
TREATMENT	NONE		APPROVED JBT	10/26/07	SCALE NONE SHEET 1 OF 1
FINISH	NONE		ISSUED NS	10/26/07	
SIMILAR TO	ACT WT	CALC WT			