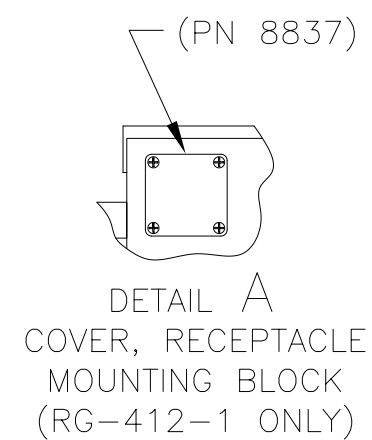
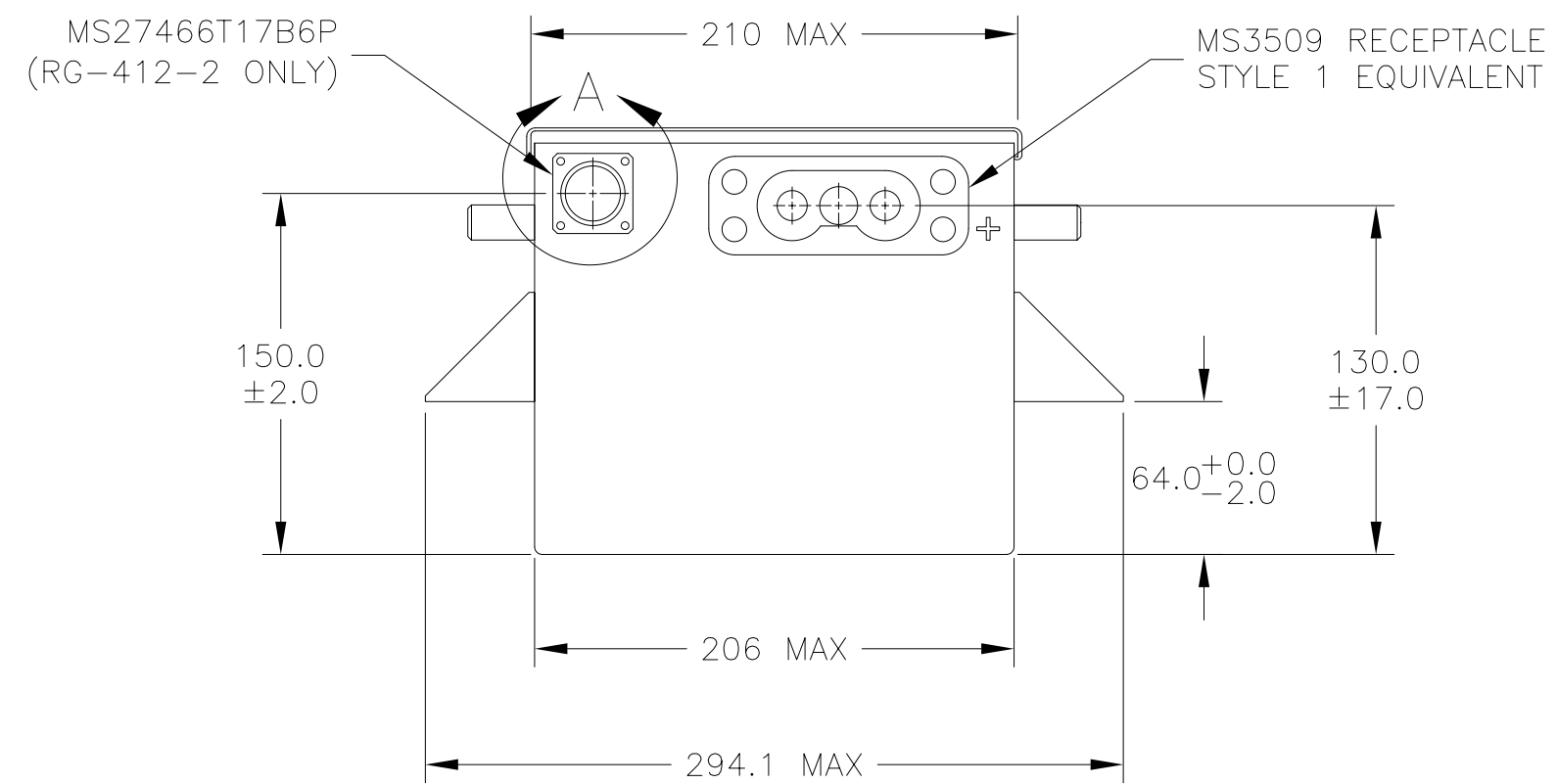
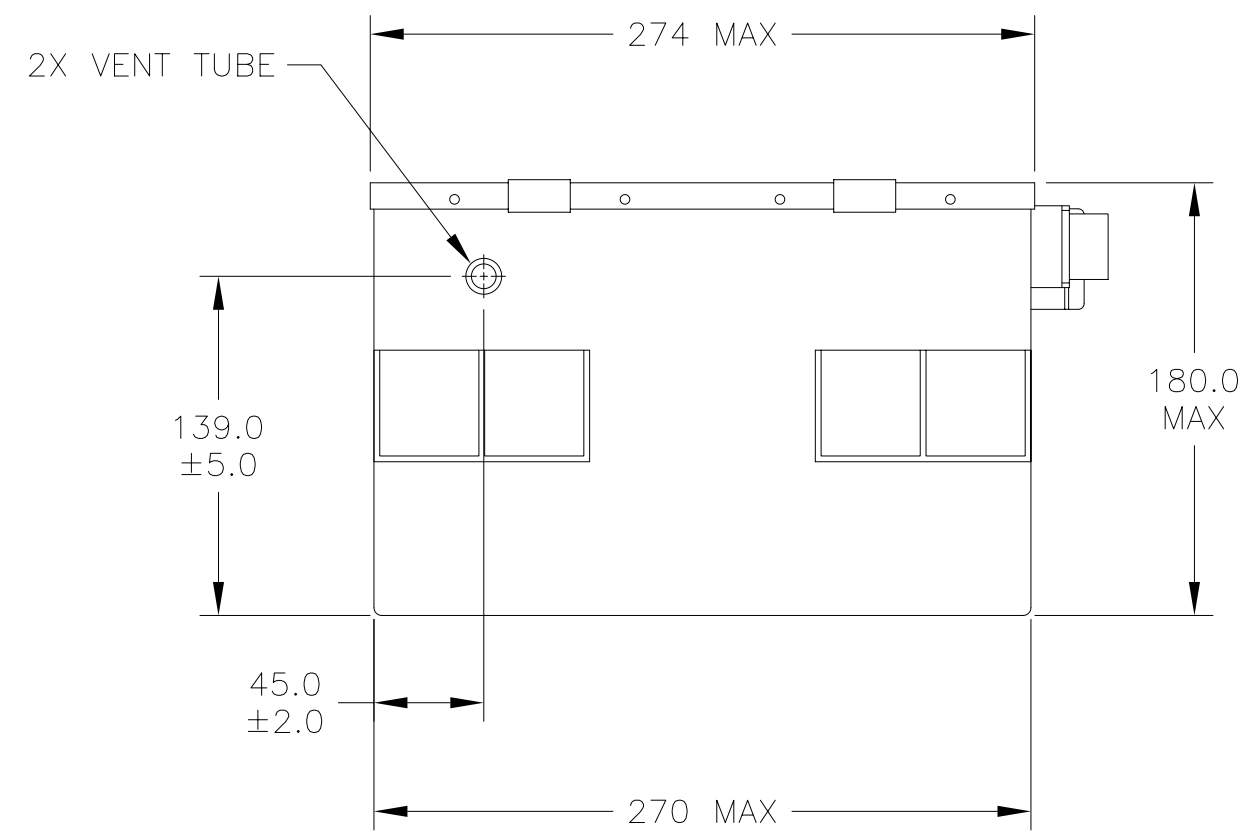
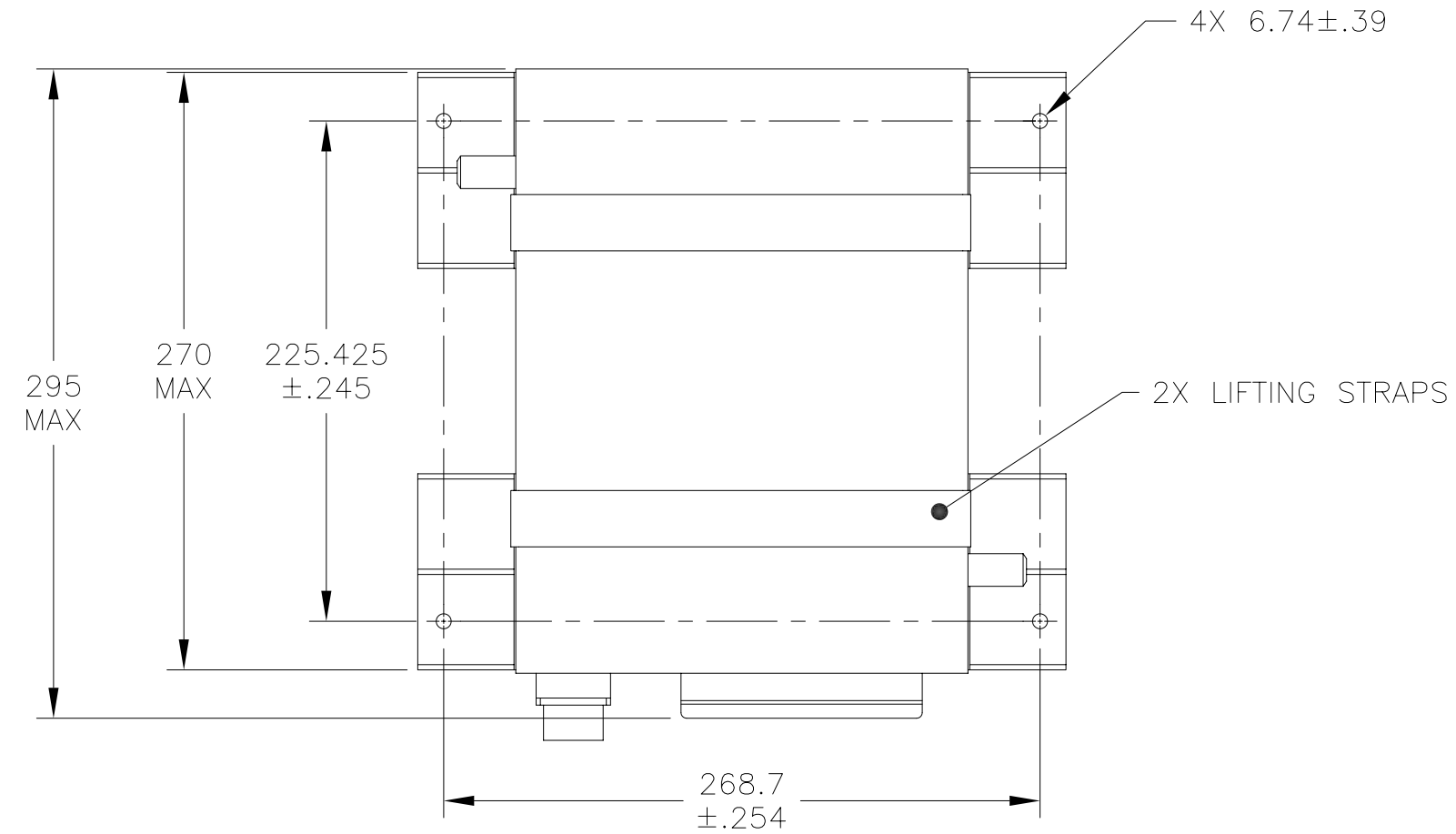
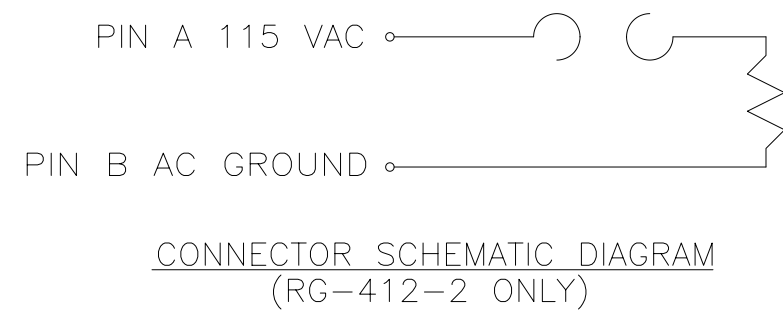


NOTES: UNLESS OTHERWISE SPECIFIED

1. BATTERY CONFORMS TO THE DESIGN REQUIREMENTS OF 14 CFR PART 23.1353, 25.1353(c), 27.1353, 29.1353(c).
2. INSPECT PER FAR 21.303(h) QUALITY SYSTEM.
3. SEE DRAWING NO. CB-00249 AND PROCEDURE P-1000 FOR ASSEMBLY AND TEST INSTRUCTION. PROCEDURES AND ASSEMBLY DRAWINGS ARE FOR INTERNAL USE ONLY.
4. BATTERIES ARE RATED IAW INTERNATIONAL ELECTROTECHNICAL COMMISSION STANDARD 60952-1, UNLESS OTHERWISE NOTED.

REVISIONS			
REV	DESCRIPTION	DATE	APPROVED
A	ADDED LIFTING STRAPS	6/13/07	JBT



PART NUMBER	RG-412-1	RG-412-2
MAXIMUM WEIGHT	47.4 LBS [21.5 KG]	47.4 LBS [21.5 KG]
RATED CAPACITY, C ₁	15 AH	15 AH
POWER RATING AT 23°C	lpr TBD A, lpp TBD A	lpr TBD A, lpp TBD A
POWER RATING AT -18°C	lpr TBD A, lpp TBD A	lpr TBD A, lpp TBD A
POWER RATING AT -30°C	lpr TBD A, lpp TBD A	lpr TBD A, lpp TBD A
INTERNAL AC HEATER	NONE	6A MAX AT 115V

ENVELOPE DRAWING

QTY REQD	CAGE CODE	PART OR IDENTIFYING NO.	NOMENCLATURE OR DESCRIPTION	MATERIAL SPECIFICATION	ITEM NO.
PARTS LIST					
UNLESS OTHERWISE SPECIFIED DIMENSIONS ARE IN MILLIMETERS TOLERANCES ARE:			CONTRACT NO. NA		
FRACTIONS DECIMALS ANGLES			APPROVALS DATE		
.xx ±			DRAWN RM 7/16/03		
.xxx ±			CHECKED AMIII 10/22/03		
TREATMENT NA			APPROVED JBT 11/3/03		
FINISH NA			ISSUED NS 6/18/07		
SIMILAR TO			TITLE CONCORDE BATTERY CORPORATION 2009 SAN BERNARDINO RD, W. COVINA, CA 91790 BATTERY, STORAGE, AIRCRAFT, 24 VOLT, 15 AH		
SCALE 1/3		CAGE CODE 63017		DWG. NO. RG-412	
SHEET 1 OF 1		REV A			