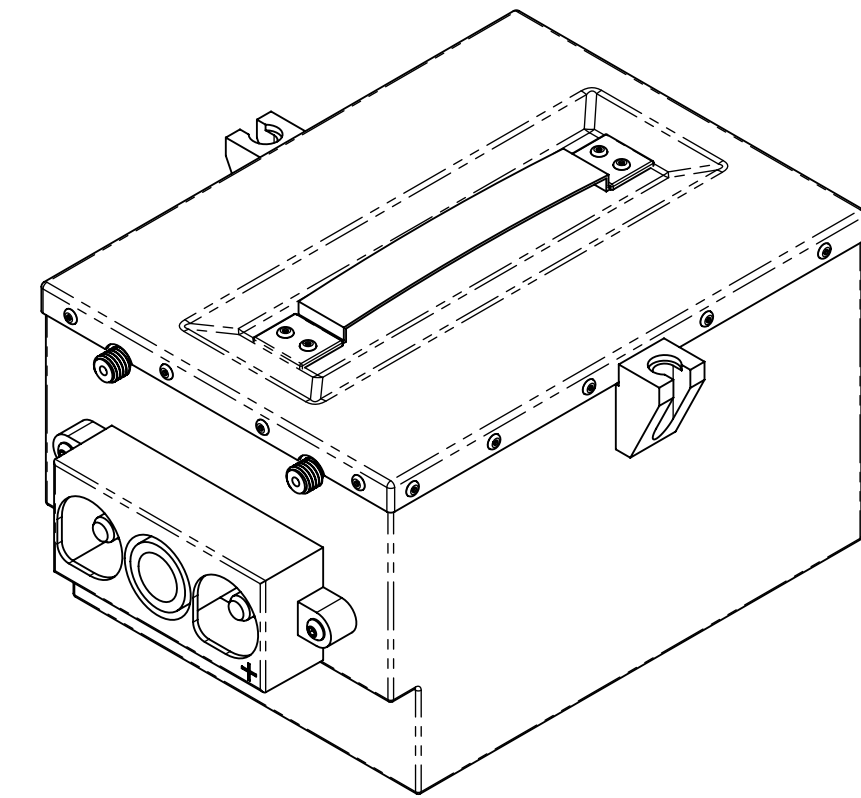
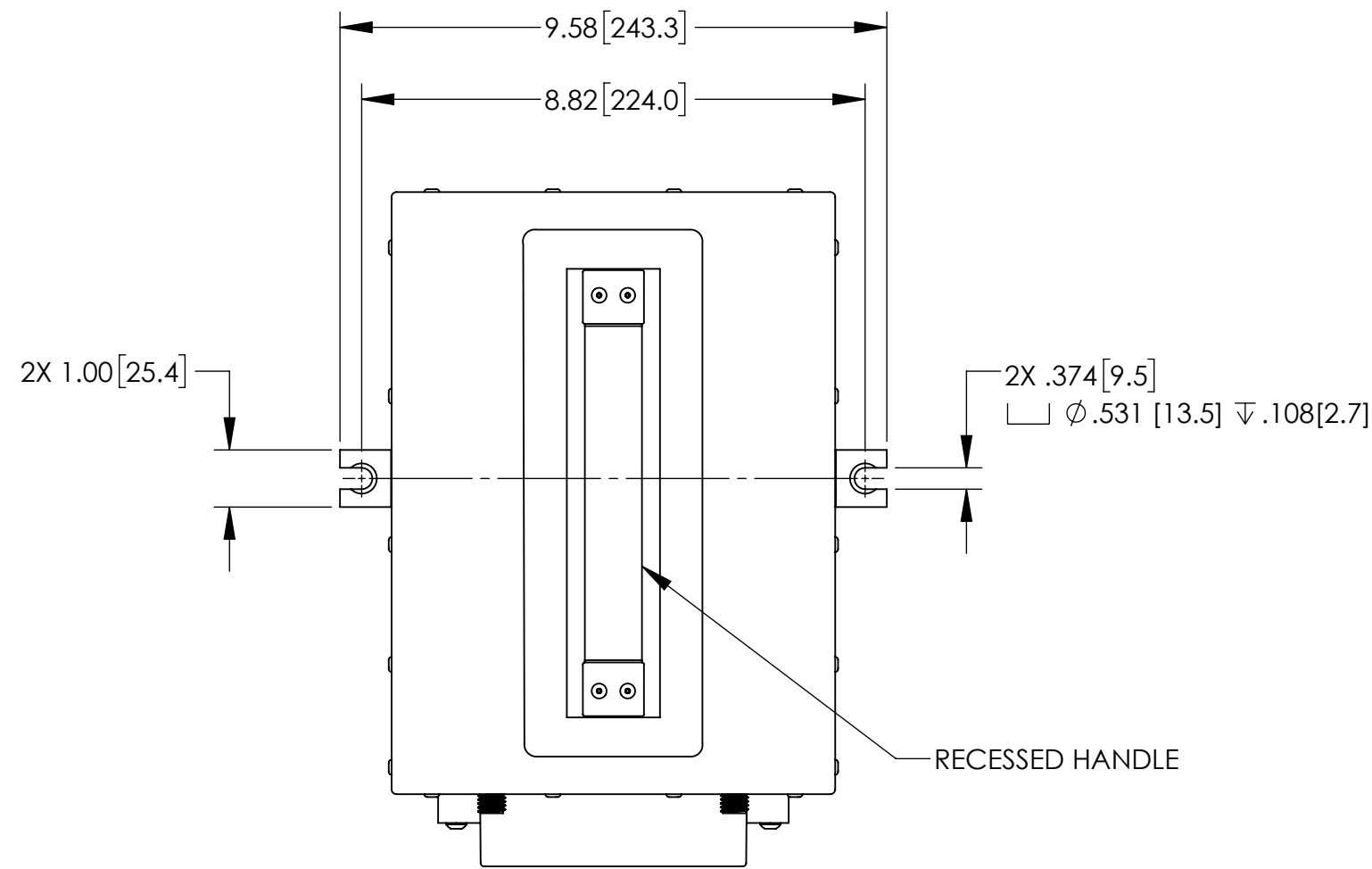


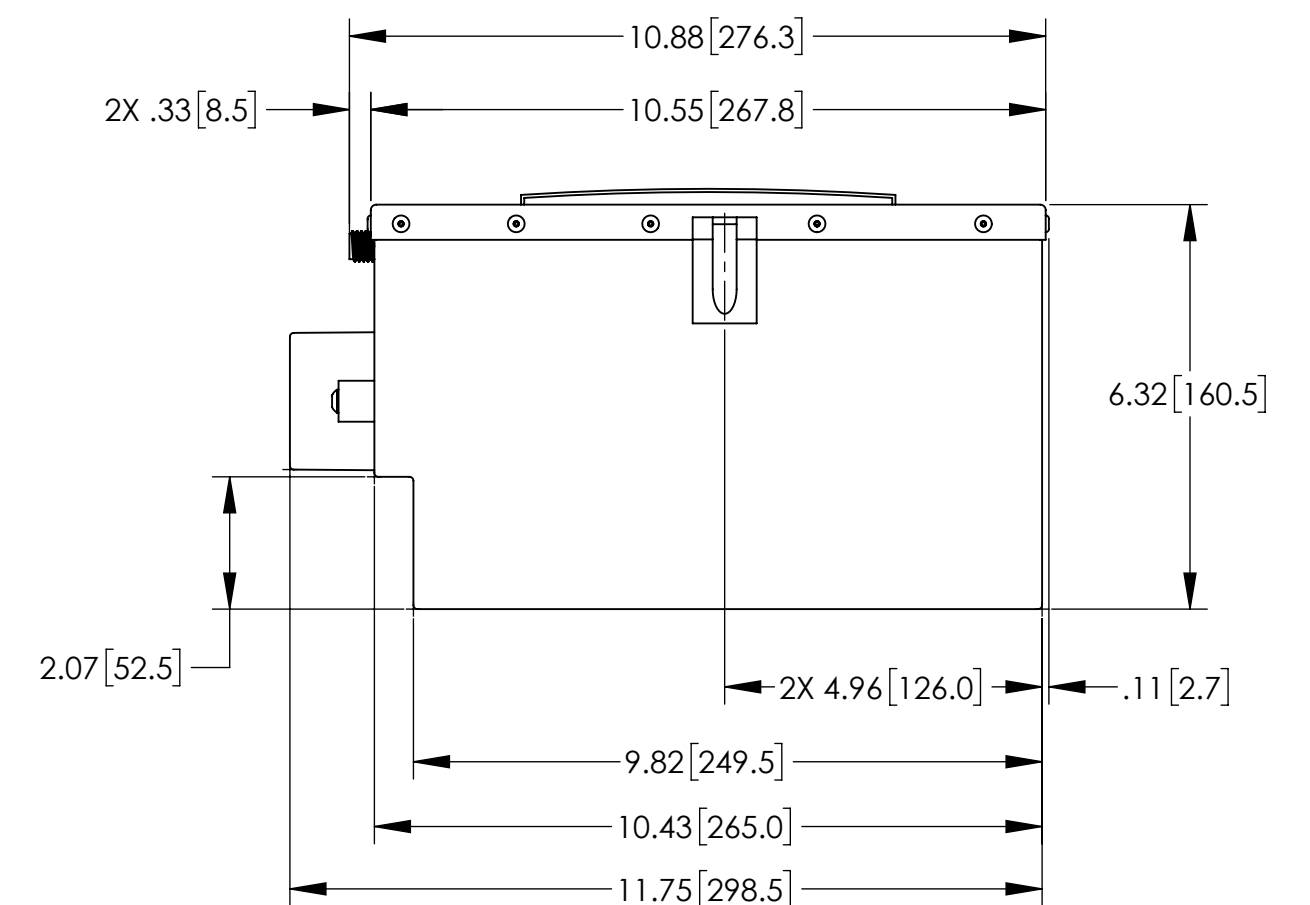
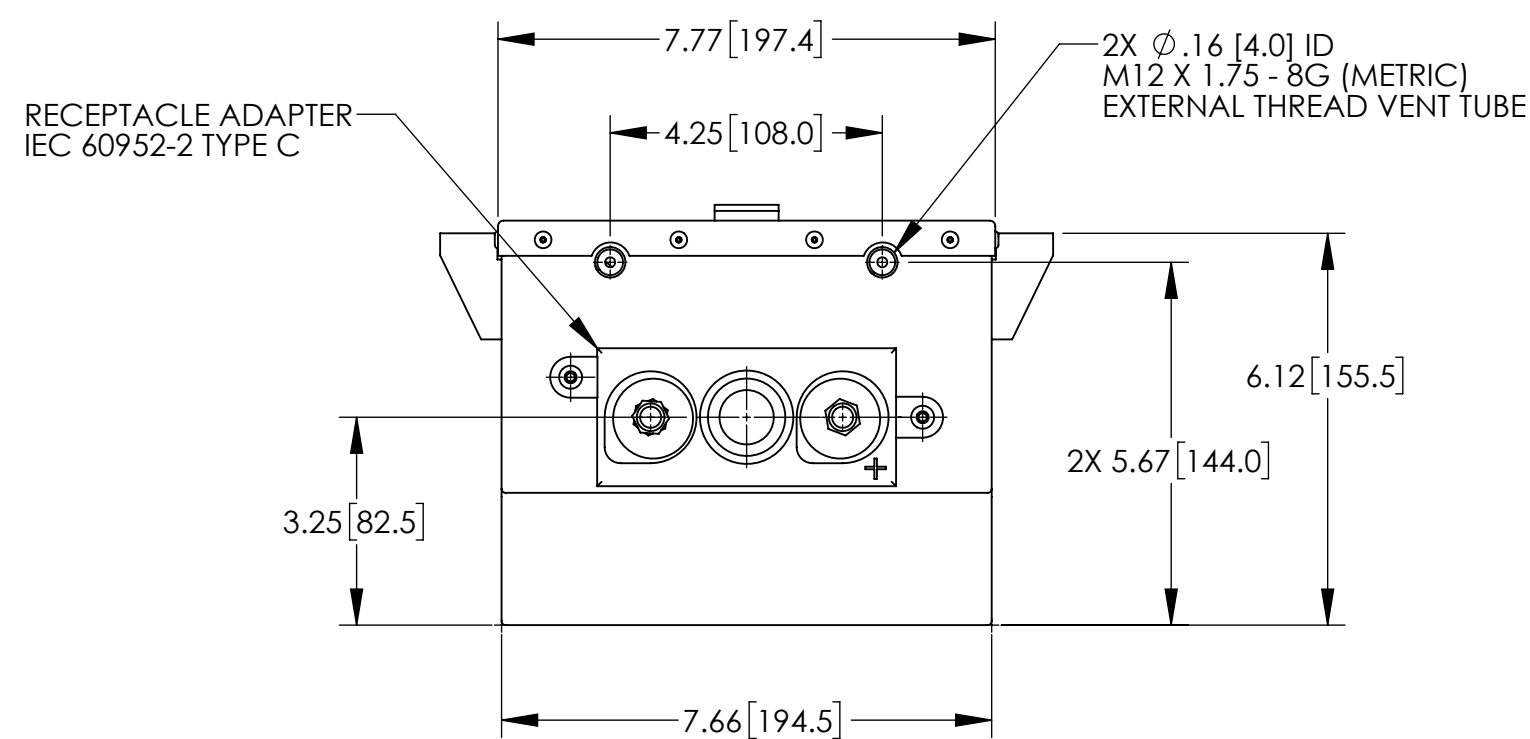
NOTES: UNLESS OTHERWISE SPECIFIED

1. MANUFACTURED AND INSPECTED IAW AS9100 QUALITY SYSTEM REQUIREMENTS.
2. ABBREVIATION USED IN TITLE IS: VALVE REGULATED SEALED LEAD ACID (VRSLA).
3. SEE DRAWING NO. CB-00458 AND PROCEDURE P-1000 FOR ASSEMBLY AND TEST INSTRUCTION. PROCEDURES AND ASSEMBLY DRAWINGS ARE FOR INTERNAL USE ONLY.
4. BATTERIES ARE RATED IAW INTERNATIONAL ELECTROTECHNICAL COMMISSION STANDARD 60952-1 AND RTCA STANDARD DO-293A, UNLESS OTHERWISE NOTED.
5. DIMENSIONS ARE INCH [MILLIMETER].

REVISIONS			
REV	DESCRIPTION	DATE	APPROVED
A	REVISED FOR TSO TESTING, REDRAWN IN SOLIDWORKS	3/5/18	PH



REFERENCE VIEW



ENVELOPE DRAWING

PART NUMBER	RG-445C
MAXIMUM WEIGHT	43 LBS [19.5 KG]
RATED CAPACITY, C ₁	18 AH
POWER RATING AT 23°C	Ipp 1050 A, Ipr 700 A
POWER RATING AT -18°C	Ipp 725 A, Ipr 575 A
POWER RATING AT -30°C	Ipp 550 A, Ipr 375 A

UNLESS OTHERWISE SPECIFIED DIMENSIONS ARE IN INCHES TOLERANCES ARE:		CONTRACT NO.		CONCORDE BATTERY CORPORATION 2009 SAN BERNARDINO RD, W. COVINA, CA 91790				
FRACTIONS	DECIMALS	ANGLES	APPROVALS	DATE	TITLE			
\pm	.XX \pm .06 .XXX \pm .030	\pm °	DRAWN	HRF	3/29/00	BATTERY, VRSLA, 24 VOLT		
TREATMENT	NONE	CHECKED	AMIII	5/17/01	SIZE	CAGE CODE	DWG NO.	REV
FINISH	NONE	APPROVED	JBT	5/17/01	C	63017	RG-445C	A
SIMILAR TO	CALC WT	ISSUED	JG	3/6/18	SCALE	1:3	SHEET 1 OF 1	