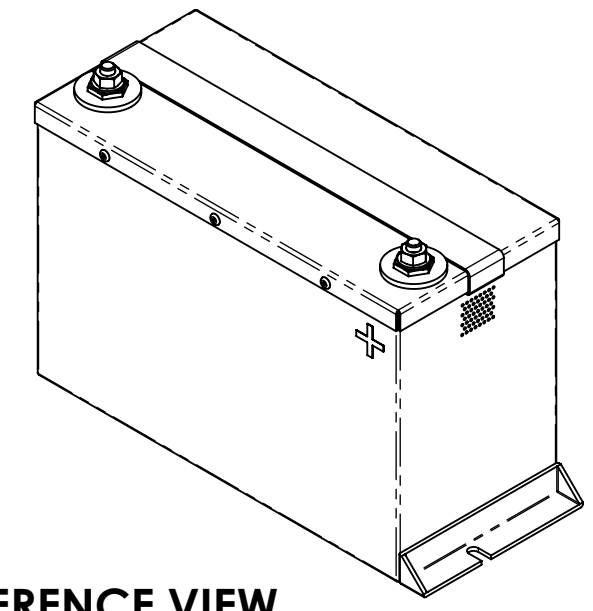
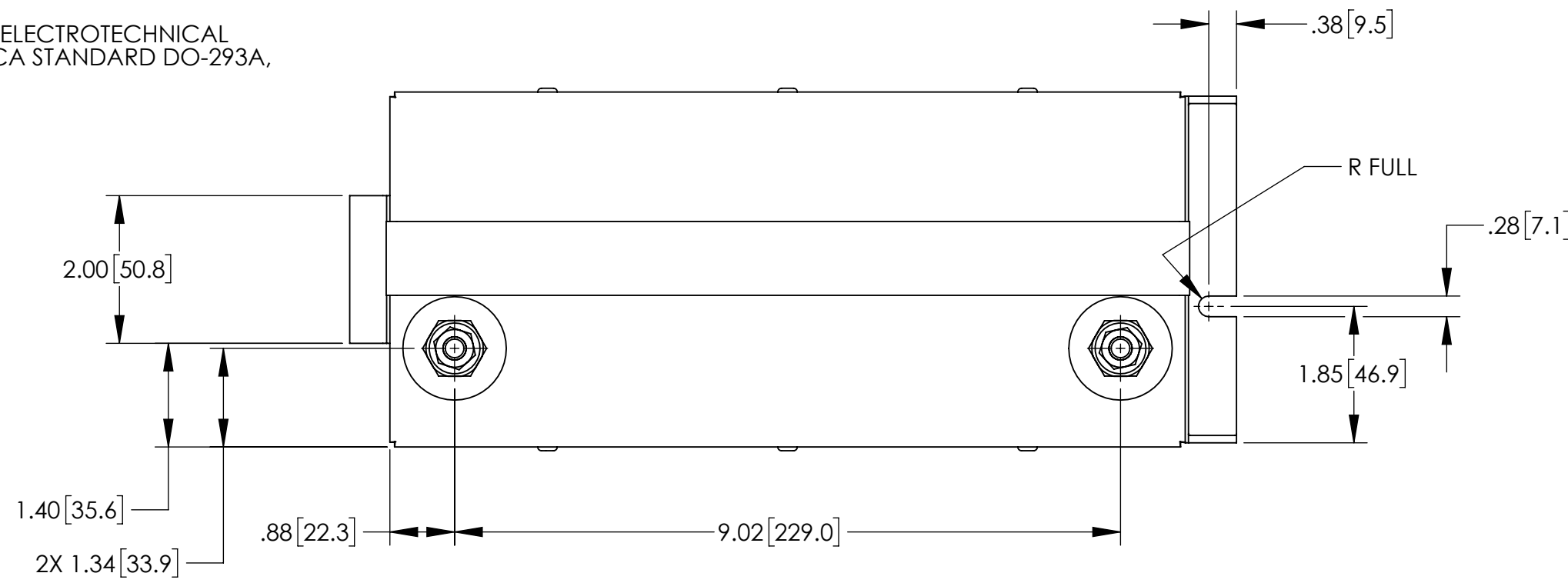


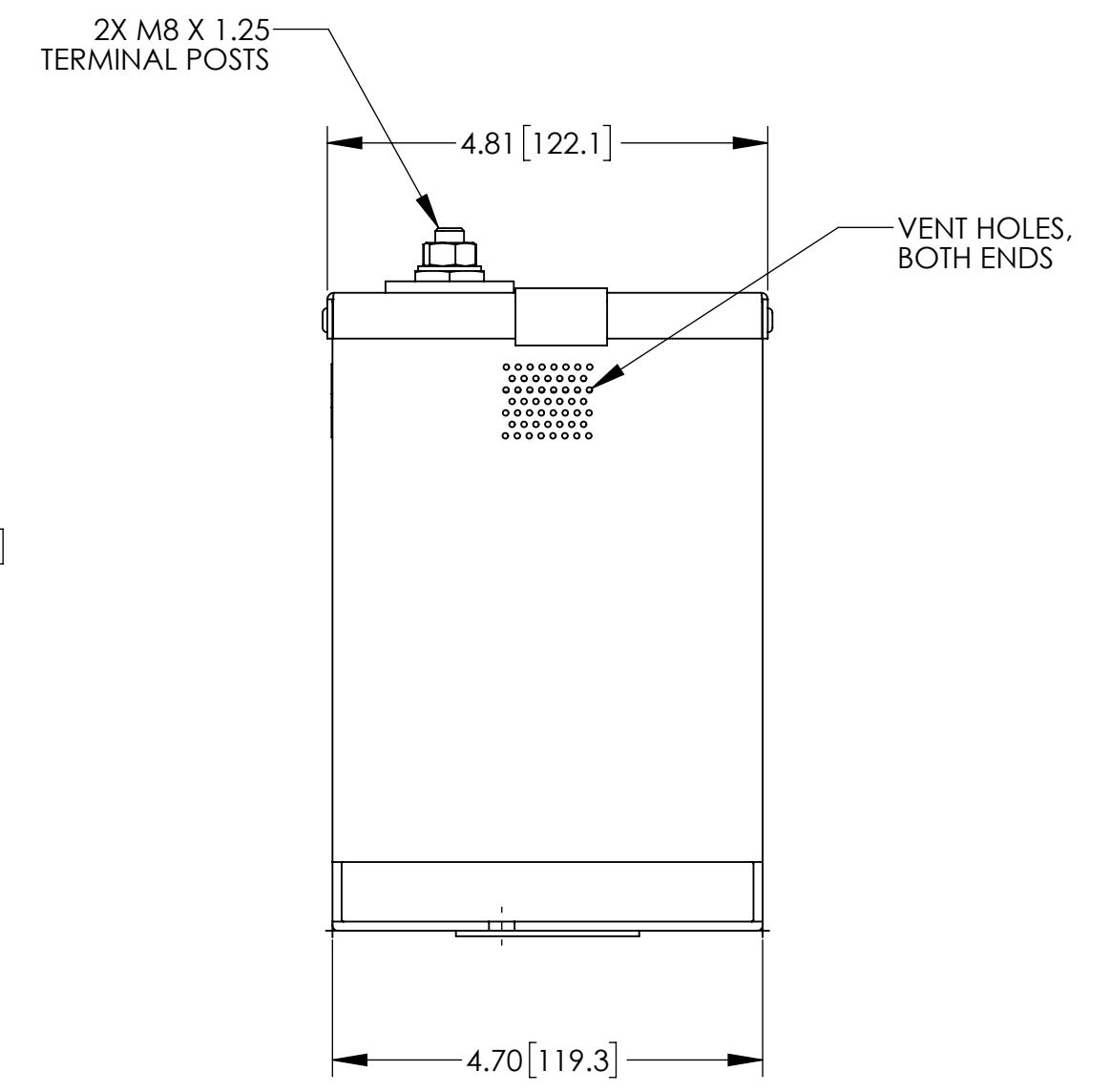
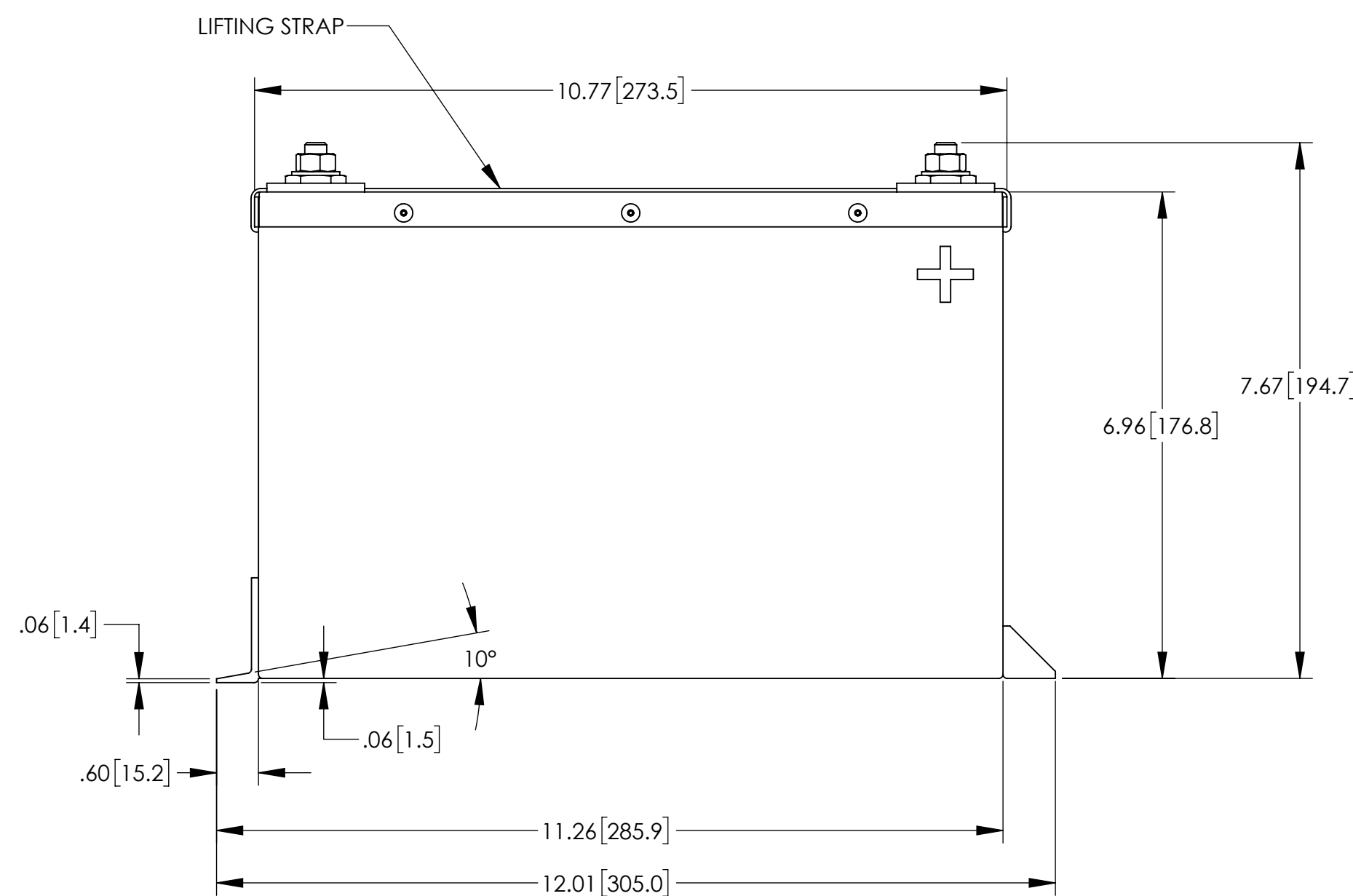
NOTES: UNLESS OTHERWISE SPECIFIED

1. MANUFACTURED AND INSPECTED IAW AS9100 QUALITY SYSTEM REQUIREMENTS.
2. ABBREVIATION USED IN TITLE IS: VALVE REGULATED SEALED LEAD ACID (VRSLA).
3. SEE DRAWING NO. CB-00274 AND PROCEDURE P-1000 FOR ASSEMBLY AND TEST INSTRUCTION. PROCEDURES AND ASSEMBLY DRAWINGS ARE FOR INTERNAL USE ONLY.
4. BATTERIES ARE RATED IAW INTERNATIONAL ELECTROTECHNICAL COMMISSION STANDARD 60952-1 AND RTCA STANDARD DO-293A, UNLESS OTHERWISE NOTED
5. DIMENSIONS ARE INCH [MILLIMETERS].

REVISIONS			
REV	DESCRIPTION	DATE	APPROVED
A	REV POWER RATINGS & NOTES, REDRAWN IN SOLIDWORKS	6/28/17	PH



**REFERENCE VIEW**



PART NUMBER	RG-45
MAXIMUM WEIGHT	34 LBS [15.4 KG]
RATED CAPACITY, C <sub>1</sub>	12 AH
POWER RATING AT 23°C	I <sub>pp</sub> 700 A, I <sub>pr</sub> 500 A
POWER RATING AT -18°C	I <sub>pp</sub> 500 A, I <sub>pr</sub> 325 A
POWER RATING AT -30°C	I <sub>pp</sub> 350 A, I <sub>pr</sub> 225 A

**ENVELOPE DRAWING**

UNLESS OTHERWISE SPECIFIED DIMENSIONS ARE IN INCHES TOLERANCES ARE:		CONTRACT NO.		CONCORDE BATTERY CORPORATION 2009 SAN BERNARDINO RD, W. COVINA, CA 91790		
FRACTIONS	DECIMALS	ANGLES	APPROVALS	DATE	TITLE	
±	.XX ± .06 .XXX ± .030	±°	DRAWN	JBT	4/27/99	BATTERY, VRSLA, 24 VOLT
TREATMENT	NONE	CHECKED	AMIII	10/5/99	SIZE	
FINISH	NONE	APPROVED	JBT	10/18/99	C	63017
SIMILAR TO	CALC WT	ISSUED	AT	6/29/17	DWG NO.	RG-45
				SCALE	1:2	REV
						A
				SHEET		1 OF 1