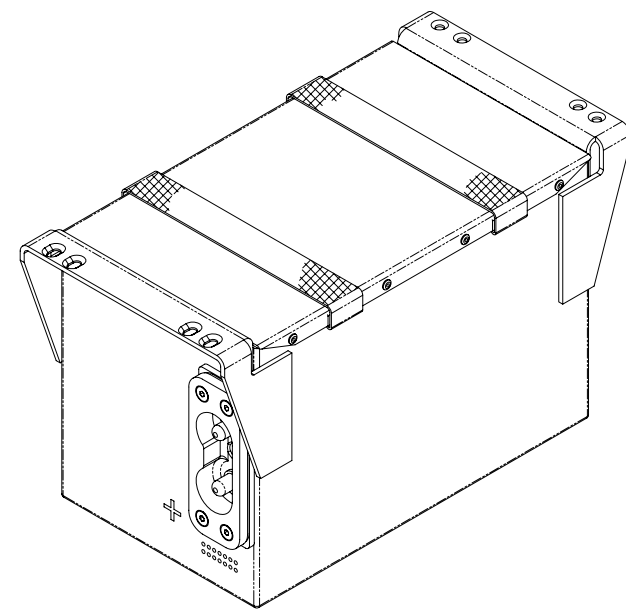


NOTES: UNLESS OTHERWISE SPECIFIED

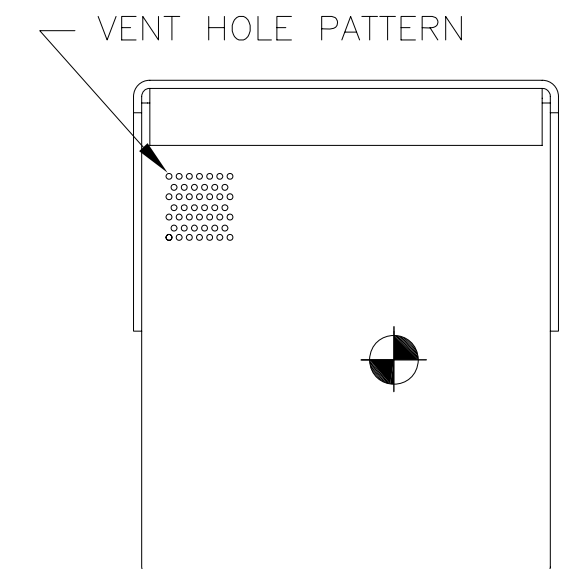
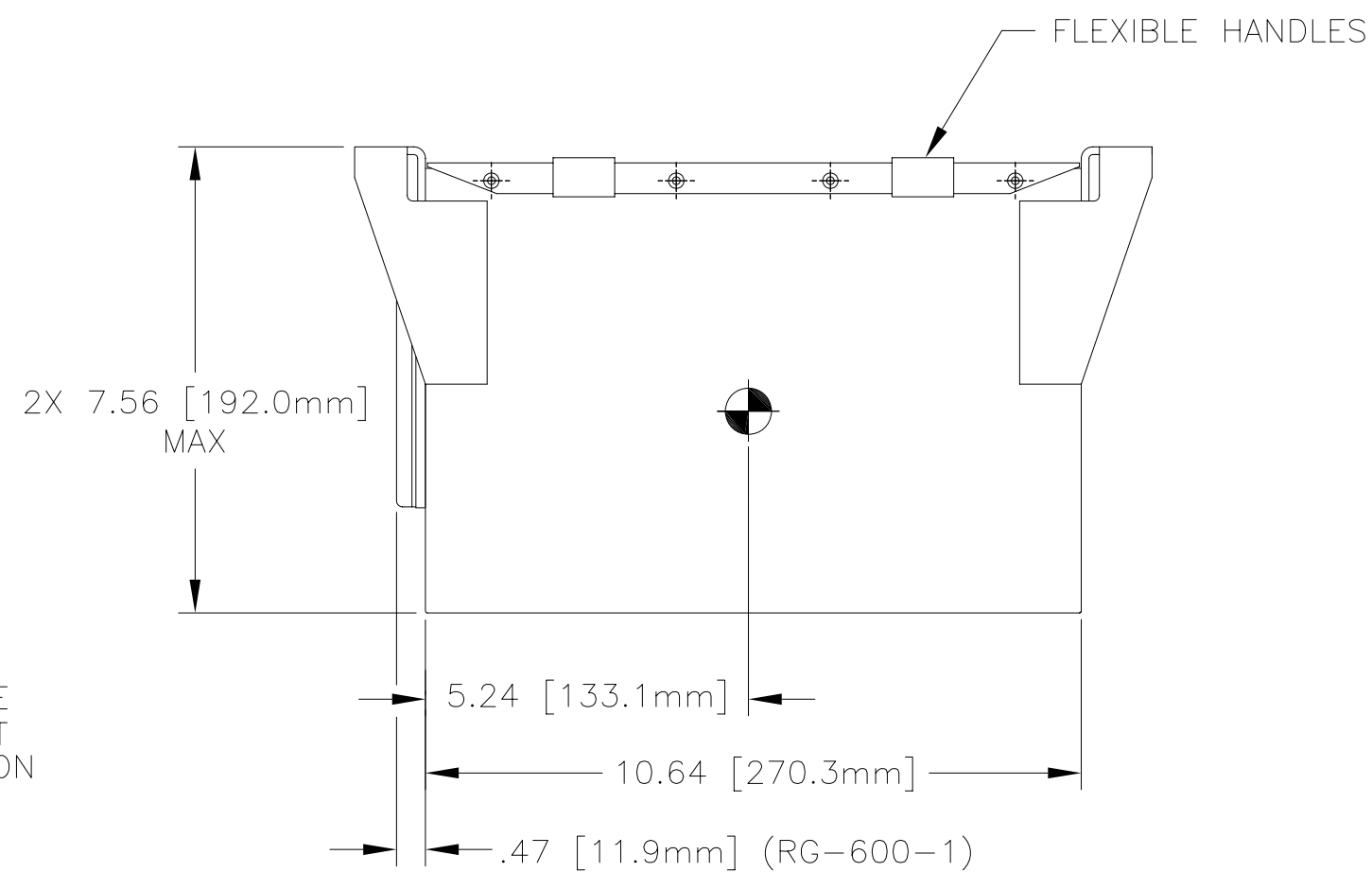
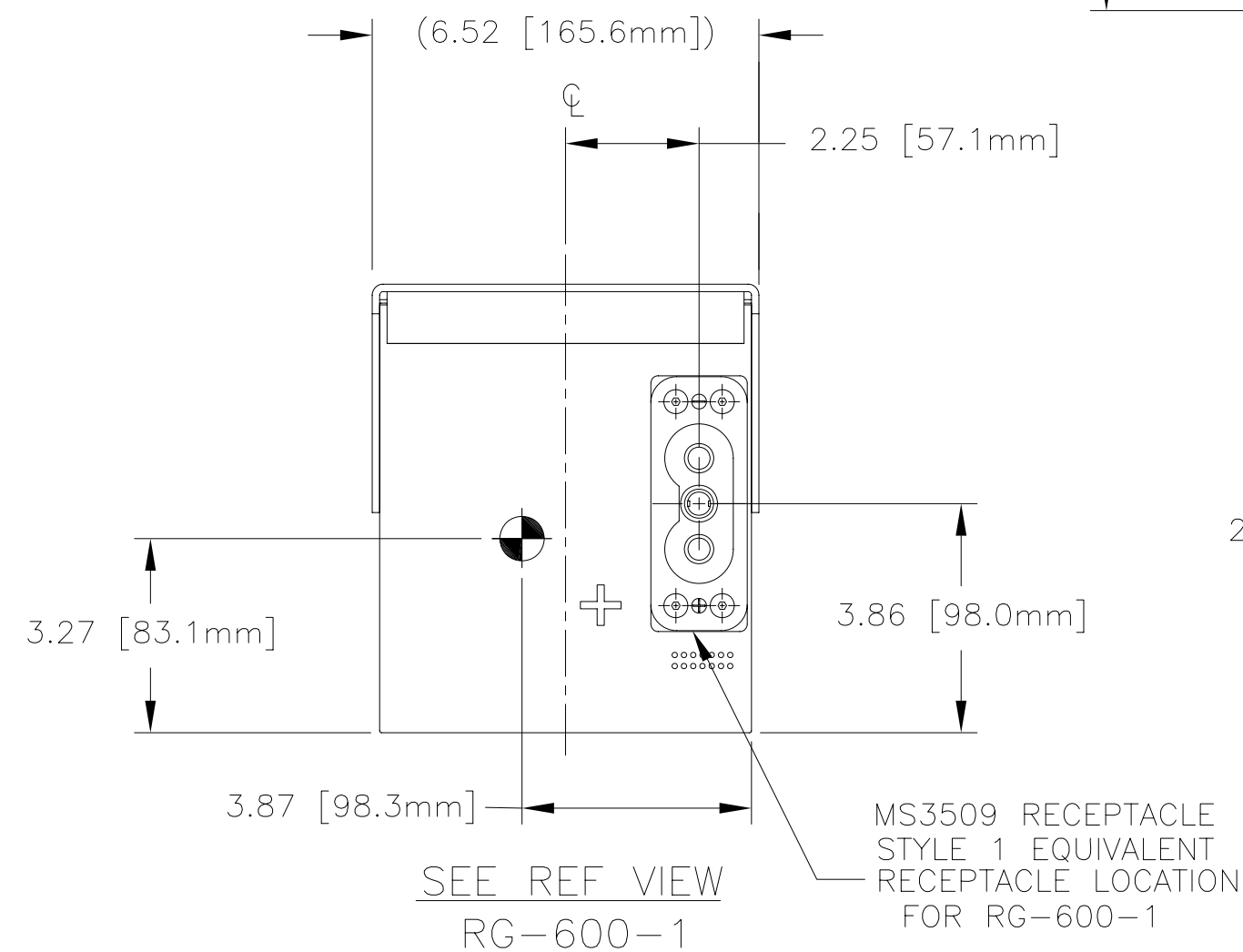
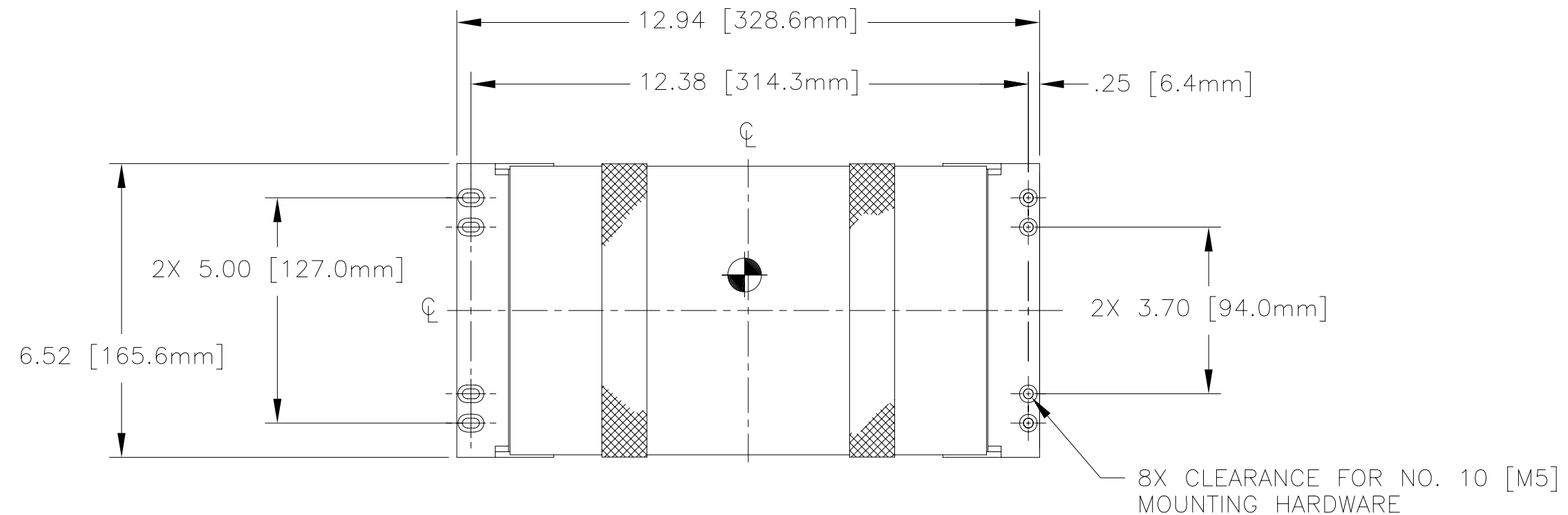
- BATTERY CONFORMS TO THE DESIGN REQUIREMENTS OF 14 CFR PARTS 23.1353, 25.1353 (c), 27.1353, 29.1353(c).
- MANUFACTURED AND INSPECTED IAW AS9100 QUALITY SYSTEM REQUIREMENTS.
- ABBREVIATION USED IN TITLE IS: VALVE REGULATED SEALED LEAD ACID (VRSLA).

- SEE DRAWING NUMBER CB-00233 AND PROCEDURE P-1000 FOR ASSEMBLY AND TEST INSTRUCTION. PROCEDURES AND ASSEMBLY DRAWINGS ARE FOR INTERNAL USE ONLY.
- BATTERIES ARE RATED IAW INTERNATIONAL ELECTROTECHNICAL COMMISSION STANDARD 60952-1 AND RTCA DO-293, UNLESS OTHERWISE NOTED.
- DIMENSIONS ARE IN INCH [MILLIMETERS MM],

REVISIONS			
REV	DESCRIPTION	DATE	APPROVED
A	INCREASED BATTERY HEIGHT BY 1/4"; ADDED MM DIMS	2/12/98	JBT
B	ADDED MAX TO OAH	11/17/99	JBT
C	DECREASED BATTERY HEIGHT, ADDED -2, SHEET 2, ISO VIEWS & REVISED TITLE	3/6/03	JBT
D	UPDATED NOTES 1, 2, 5, AND RATINGS PER TSO TEST	11/6/09	JBT
E	-1 AND -2: ADDED CG WITH DIMS, UPDATED NOTES AND RATINGS PER TSO TEST	4/8/10	JBT



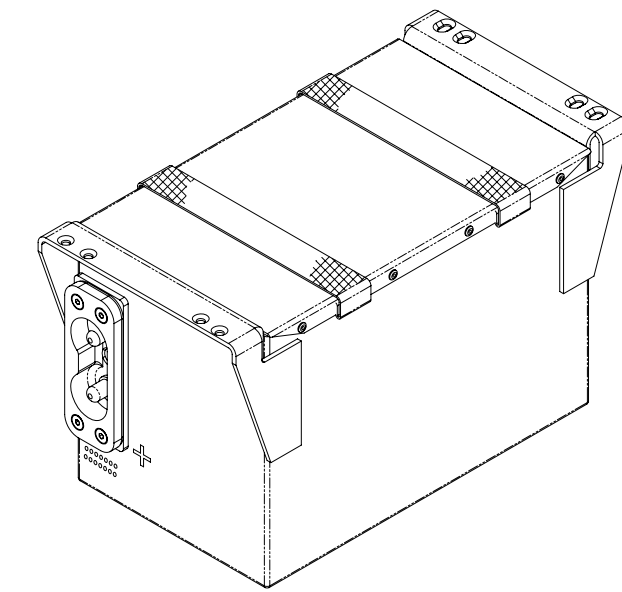
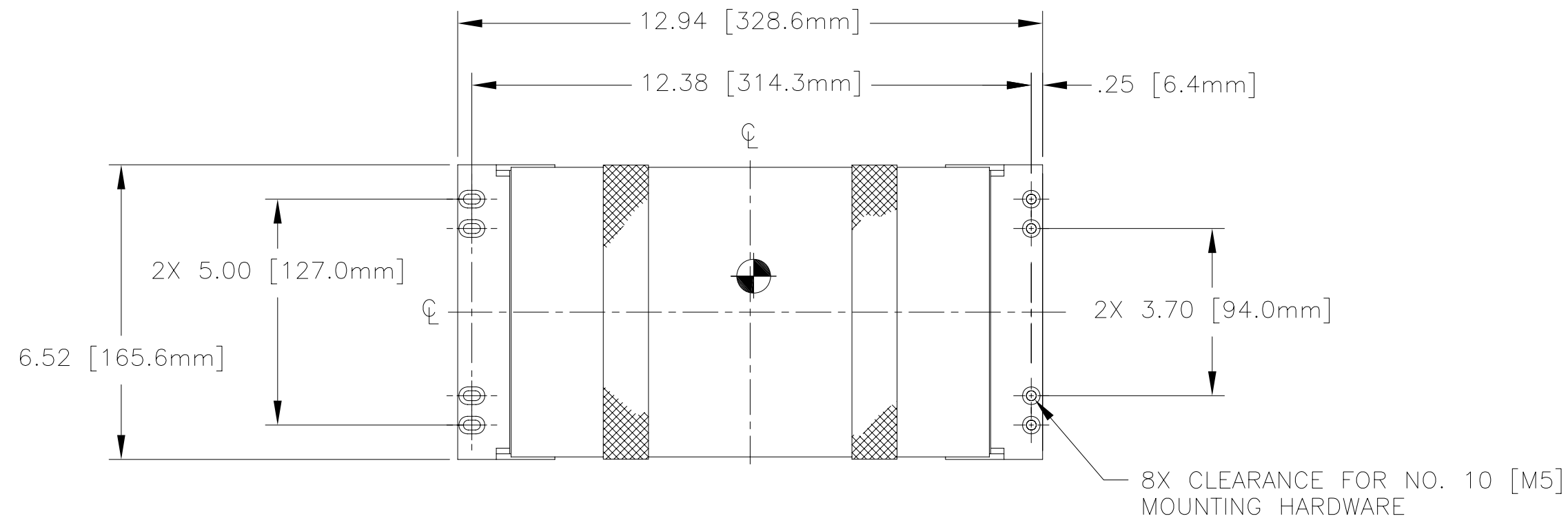
RG-600-1
REF VIEW



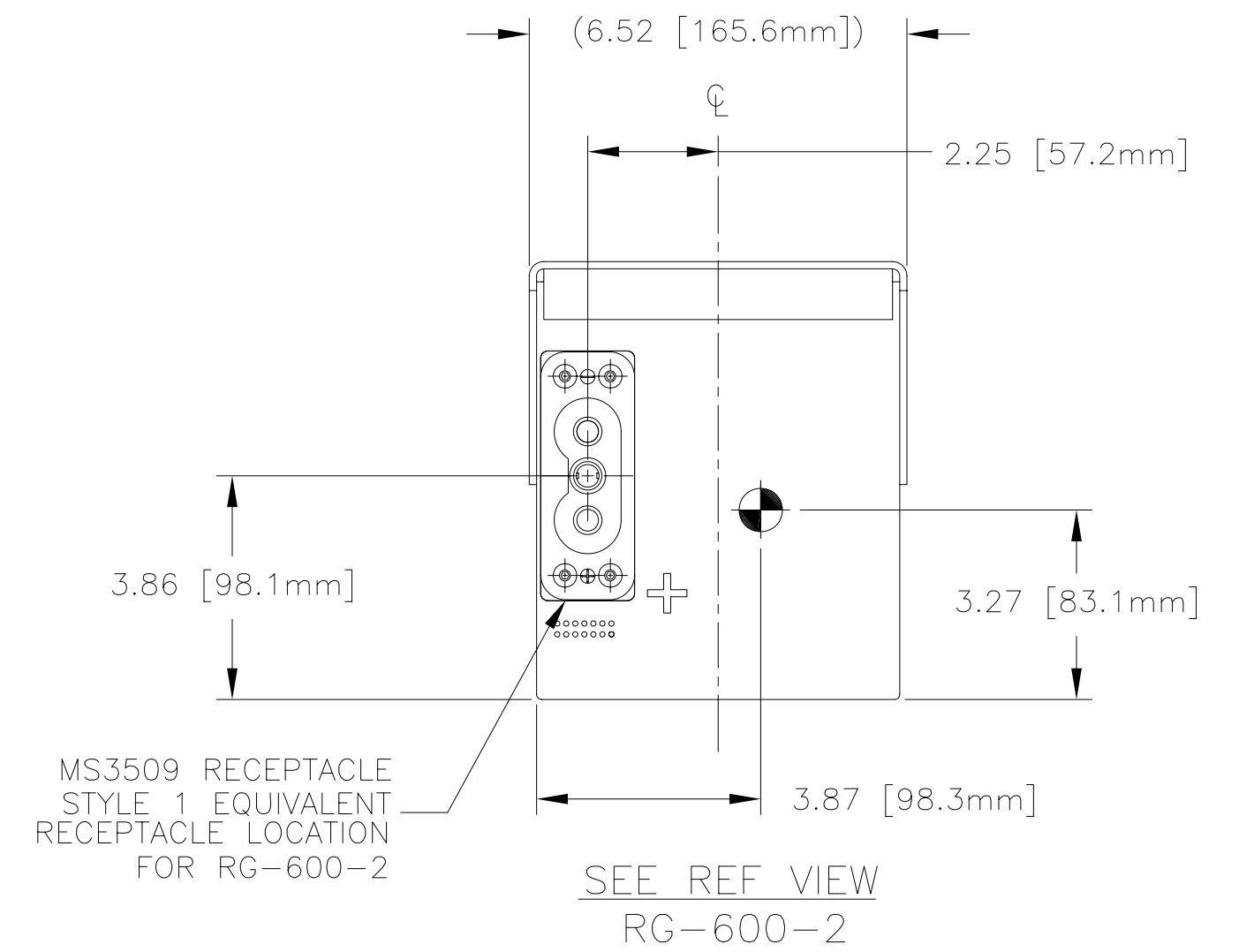
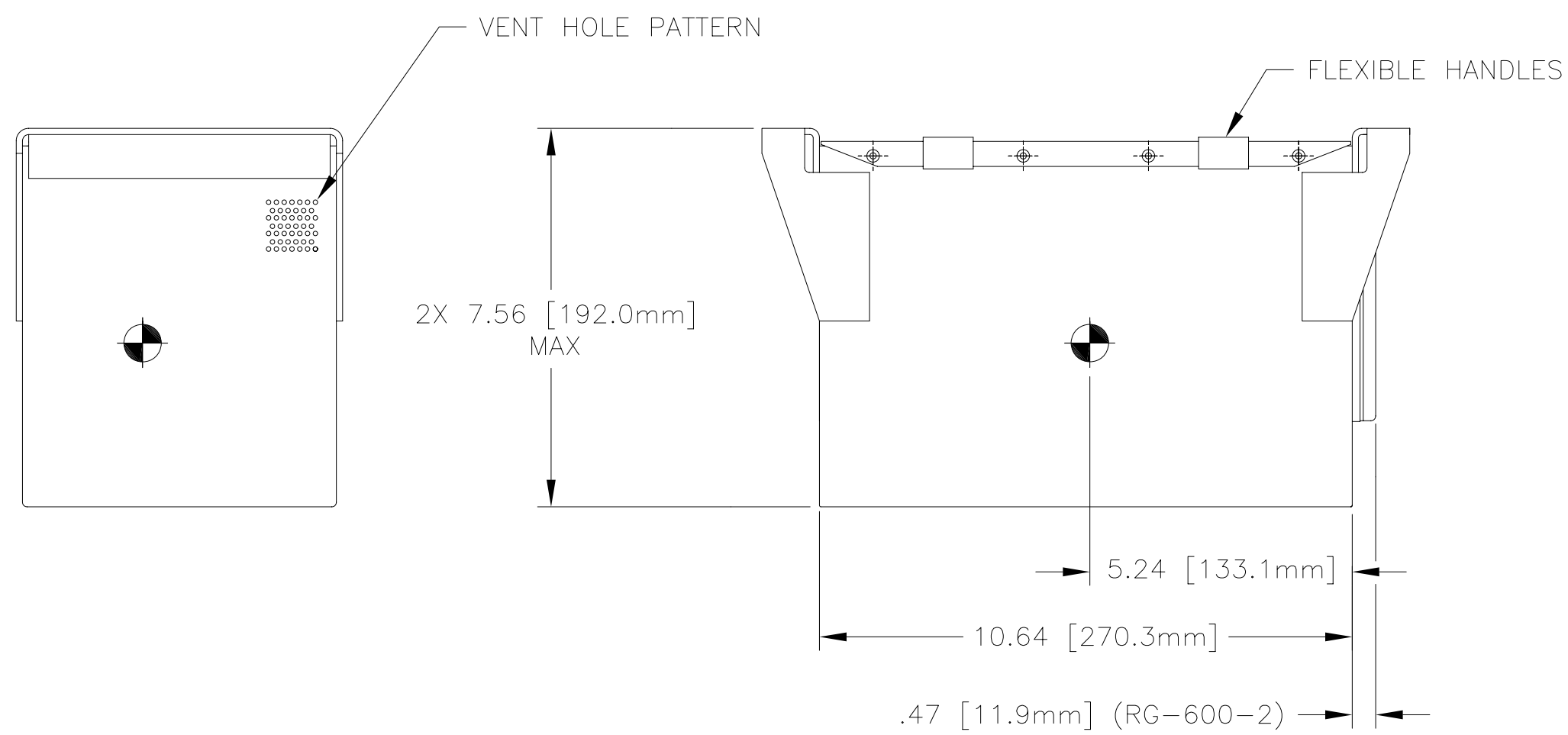
PART NUMBER	RG-600-1	RG-600-2 (SHT 2)
MAXIMUM WEIGHT	42 LBS [19.1 KG]	42 LBS [19.1 KG]
RATED CAPACITY, C ₁	17 AH	17 AH
POWER RATING AT 23°C	lpp 900 A, lpr 625 A	lpp 900 A, lpr 625 A
POWER RATING AT -18°C	lpp 600 A, lpr 425 A	lpp 600 A, lpr 425 A
POWER RATING AT -30°C	lpp 450 A, lpr 300 A	lpp 450 A, lpr 300 A

ENVELOPE DRAWINGS - SHEET 1 & 2

QTY REQD	CAGE CODE	PART OR IDENTIFYING NO.	NOMENCLATURE OR DESCRIPTION	MATERIAL SPECIFICATION	ITEM NO.
PARTS LIST					
UNLESS OTHERWISE SPECIFIED DIMENSIONS ARE IN INCHES TOLERANCES ARE: FRACTIONS DECIMALS ANGLES ± 1/32 .XX ± .06 ± 1° .XXX ± .030			CONCORDE BATTERY CORPORATION 2009 SAN BERNARDINO RD, W. COVINA, CA 91790		
TREATMENT NONE			TITLE BATTERY, VRSLA, 24 VOLT RG-600 SERIES		
FINISH NONE			DRAWN S. VALDEZ 5/13/97		
SIMILAR TO			CHECKED AMIII 5/23/97		
ACT WT			APPROVED JBT 5/23/97		
CALC WT			ISSUED JJ 4/12/10		
SIZE C	CAGE CODE 63017	DWG NO. RG-600	REV E	SCALE NONE SHEET 1 OF 2	



RG-600-2
REF VIEW



SIZE	CAGE CODE	DWG NO.	REV
C	63017	RG-600	E
SCALE	NONE	SHEET	2 OF 2