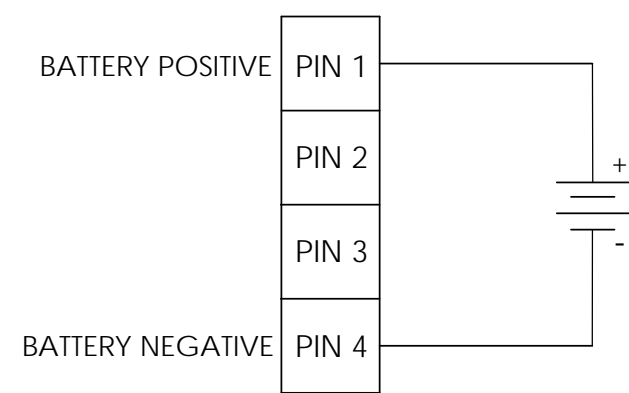


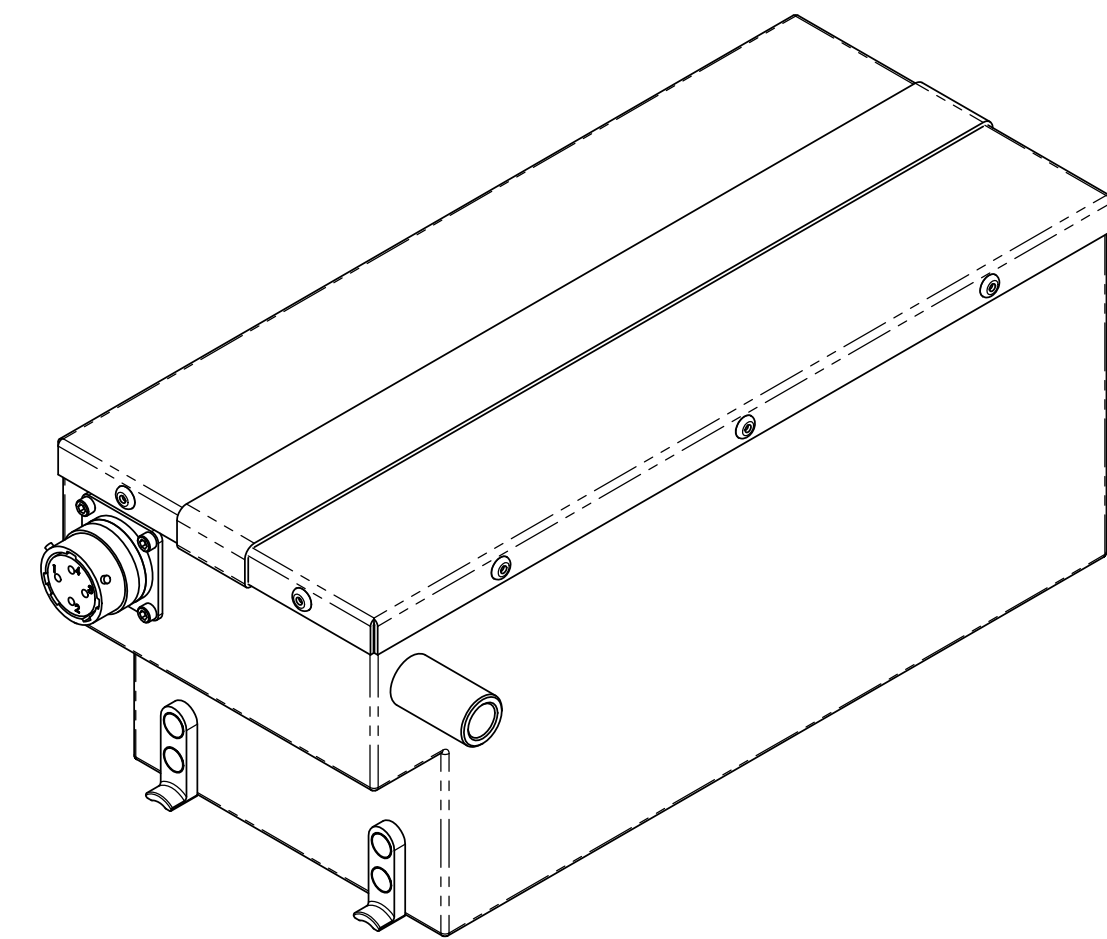
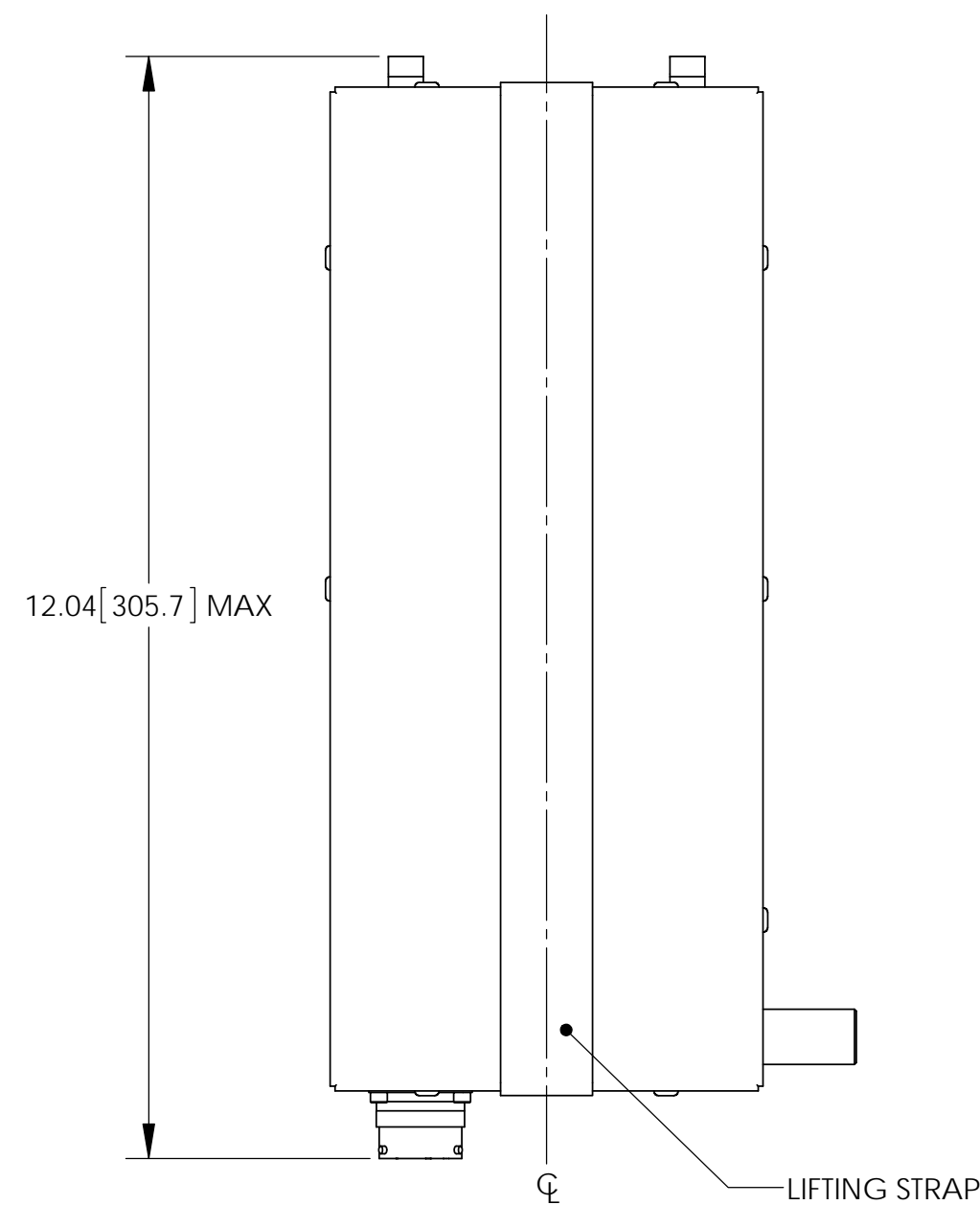
NOTES: UNLESS OTHERWISE SPECIFIED

1. MANUFACTURED AND INSPECTED IAW AS9100 QUALITY SYSTEM REQUIREMENTS.
2. ABBREVIATION USED IN TITLE IS: VALVE REGULATED SEALED LEAD ACID (VRSLA).
3. SEE DRAWING NO. CB-00443 AND PROCEDURE P-1000 FOR ASSEMBLY AND TEST INSTRUCTION. PROCEDURES AND ASSEMBLY DRAWINGS ARE FOR INTERNAL USE ONLY.
4. BATTERIES ARE RATED IAW INTERNATIONAL ELECTROTECHNICAL COMMISSION STANDARD 60952-1 AND RTCA STANDARD DO-293, UNLESS OTHERWISE NOTED.
5. DIMENSIONS ARE INCH [MILLIMETER].

| REVISIONS | | | |
|-----------|--------------------------------|---------|----------|
| REV | DESCRIPTION | DATE | APPROVED |
| A | MAX WEIGHT WAS 16 LBS [7.3 KG] | 11/4/13 | JBT |

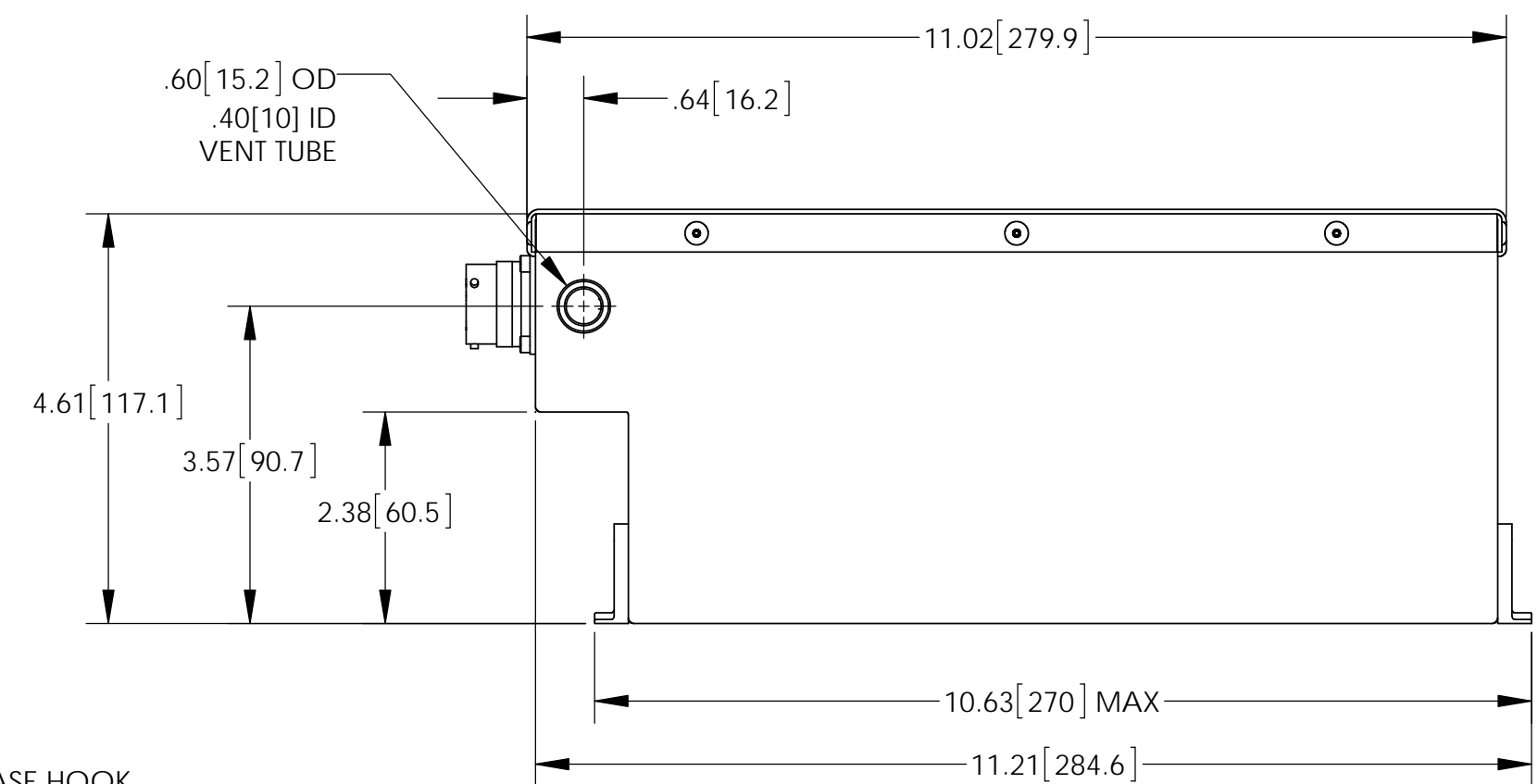
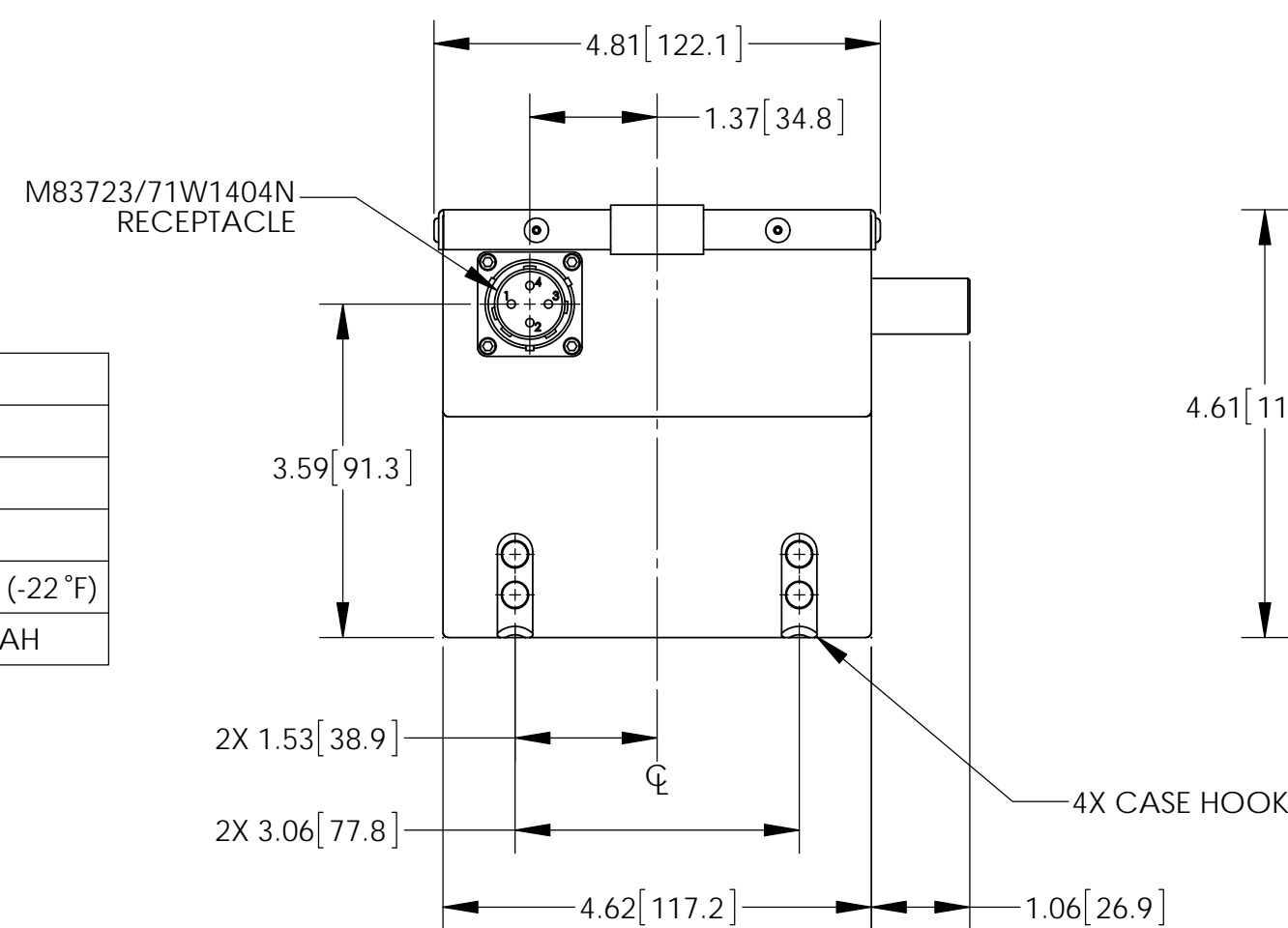


SCHMATIC



REFERENCE VIEW

| | | | |
|-------------------|-------------------|----------------|------------------|
| PART NUMBER | RG-616 | | |
| MAXIMUM WEIGHT | 16.7 LBS [7.6 KG] | | |
| RATED CAPACITY C1 | 6.0 AH | | |
| POWER RATING | NOT RATED | | |
| TEST TEMPERATURE | @23 °C (74 °F) | @-18 °C (0 °F) | @-30 °C (-22 °F) |
| CAPACITY, 6.0 A | 6.0 AH | 3.8 AH | 3.0 AH |



ENVELOPE DRAWING

| | | | | | | | |
|---|-------------------------|--------|--------------|----------|---|---------|--------------|
| UNLESS OTHERWISE SPECIFIED DIMENSIONS ARE IN INCHES TOLERANCES ARE: | | | CONTRACT NO. | | CONCORDE BATTERY CORPORATION 2009 SAN BERNARDINO RD, W. COVINA, CA 91790 | | |
| FRACTIONS | DECIMALS | ANGLES | APPROVALS | DATE | TITLE | | |
| ±1/32 | .XX ± .06 XXX ± .030 | ±1° | DRAWN | D. AYALA | BATTERY, VRSLA, 24 VOLT | | |
| TREATMENT | NONE | | CHECKED | AMIII/NS | 8/6/13 | SIZE | CAGE CODE |
| FINISH | NONE | | APPROVED | JBT | 8/7/13 | C | 63017 |
| SIMILAR TO | CALC WT | | ISSUED | BT | 11/4/13 | DWG NO. | RG-616 |
| | | | | | | SCALE | 1:2 |
| | | | | | | | SHEET 1 OF 1 |